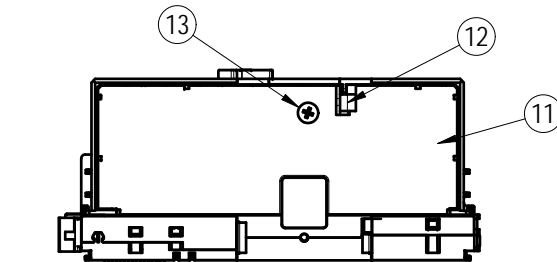
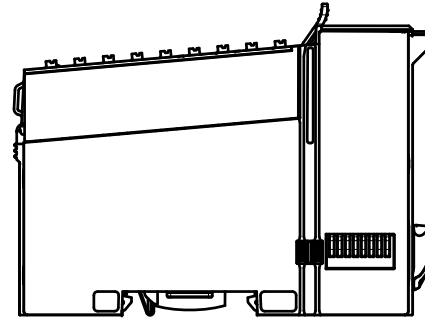
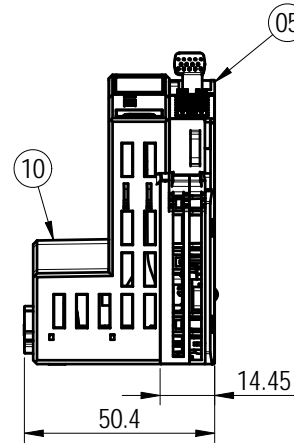
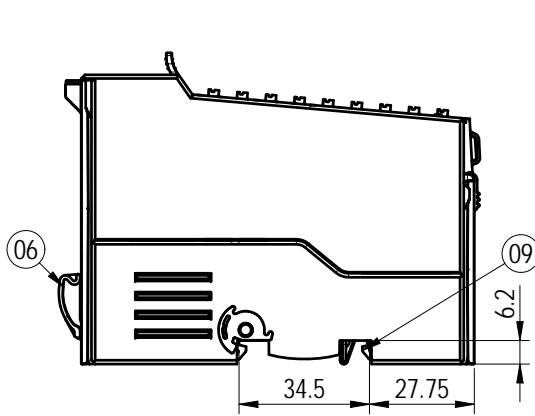
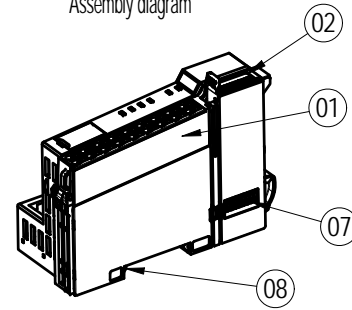
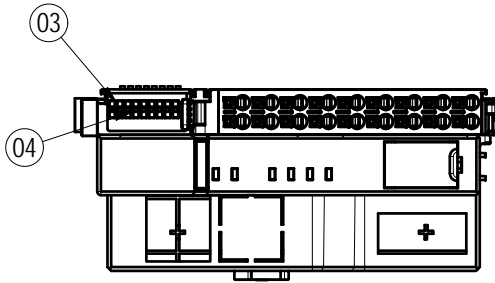


未注公差/General tolerances(mm)													0.1/10
0	>3	>6	>10	>18	>30	>50	>80	>120	>180	>250	>315	>400	
~ 3	~ 6	~ 10	~ 18	~ 30	~ 50	~ 80	~ 120	~ 180	~ 250	~ 315	~ 400	~ 500	>500
±0.12	±0.18	±0.22	±0.26	±0.31	±0.37	±0.57	±0.80	±0.93	±1.05	±1.15	±1.60	±2.20	±2.50

UL 标准/UL Standard:	B	C	D
额定电压/电流/Rated Voltage(V)/Current(A)	300/8	/	/
IEC 标准/IEC Standard:			
过压类别/Overvoltage Category/污染等级/Pollution Degree	III/3	III/2	II/2
额定电压/电流/Rated Voltage(V)/Current(A)	/	150/8	/
额定脉冲电压(KV)/Rate Impulse Voltage(KV)	/	2.5	/
线径范围(硬线和软线)/Wire Range(rigid and flexible)(AWG/mm ²)	26~16 / 0.14~1.5		
间距/Pitch(mm)/线数范围/Poles	N=18P		
剥线长度/Stripping length(mm)	8~10		
使用温度范围/Operating temperature(°C)	-40~+105		
接线次数/Wiring times	30		
符合RoHS环保要求/Conform to RoHS	Yes		

Assembly diagram



13	screw	steel	M3/Zn Plated
12	PE	Copper alloy	Sn Plated
11	Housing	PC	UL94V-0
10	DF700(001)-KT-C1-00A(H)	/	/
09	DF750(200)-PE	Copper alloy	Sn Plated
08	DF700-300-00AH-Card_rail_foot	PA66	UL94V-0
07	DF700-G-03-00A(H)	/	/
06	DF700-DGA-05-00A(H)	PA66+GF%	UL94V-0
05	DF700-RM-housing	PC	UL94V-0
04	DF700-Light guide column cover	PA66	UL94V-0
03	DF700-Light guide column	PC	UL94V-2
02	DF700-LM-housing	PC	UL94V-0
01	DF700-300-18P-C1-1000Z(H)	Grey	/
ITEM	NAME OF PART	MATERIAL	NOTES

DF700-G-03-00A(H)	
夹片额定电压电流/Rated Voltage/Current	24V/10A
弹片额定电压电流/Rated Voltage/Current	5V/3A
符合 RoHS 环保要求/Conform to RoHS	Yes
通信速率/Communication rate	100Mbps
线数范围/Poles	10P
使用温度范围/Operating temperature(°C)	-40~+155
回流焊承受温度/Reflow temperature(°C)	265



MATERIAL:	SURFACE/COLOR:
MAT NO./REV: 30060000533-1 / 00	MAT STATUS: work

APPD: 李根芳	2023-11-08
CHKD: 马恩升	2023-11-08

NAME	DF700-001-C1-1000Z(H)		
------	-----------------------	--	--

00	REV	ECN	DESCRIPTION	DRFT	DATE
			NEW DRAWING	李洪立	2023-11-08

DRFT: 李洪立	2023-11-08	DRAWING NO. 200246450	TYPE CUSTOMER DRAWING	DRAWING STATUS work	SCALE 2:1	SHEET 1/1
-----------	------------	-----------------------	-----------------------	---------------------	-----------	-----------

Transfer or duplication of this document as well as the utilization or communication of its content are prohibited unless authorized in writing by DEGSON. All rights reserved for patent, utility model or designer registrations. 除李洪立明确授权，否则禁止转让、复制、引用、发布本文件的任何内容。未经李洪立明确授权，不得复制或传播本文件的内容。所有权利保留，侵权必究。