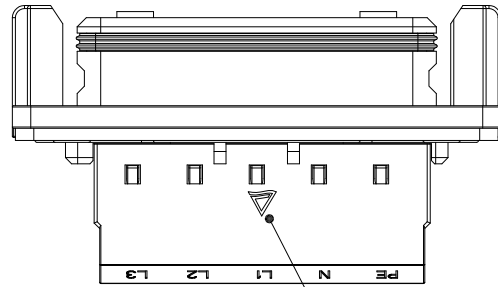


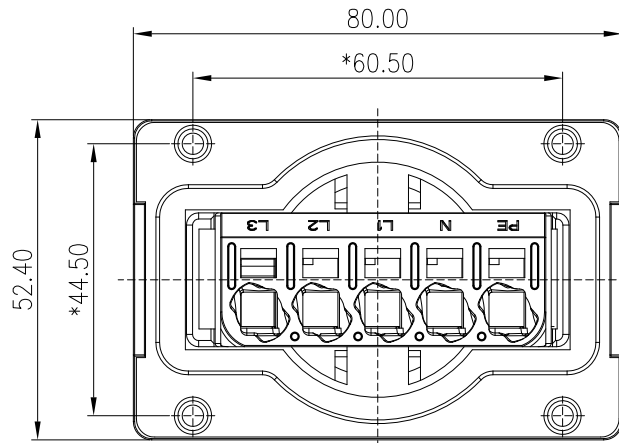


M3\*12/4PCS

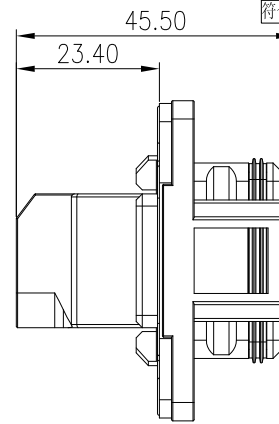


TUV认证标示  
(凸字字高0.3mm)

01



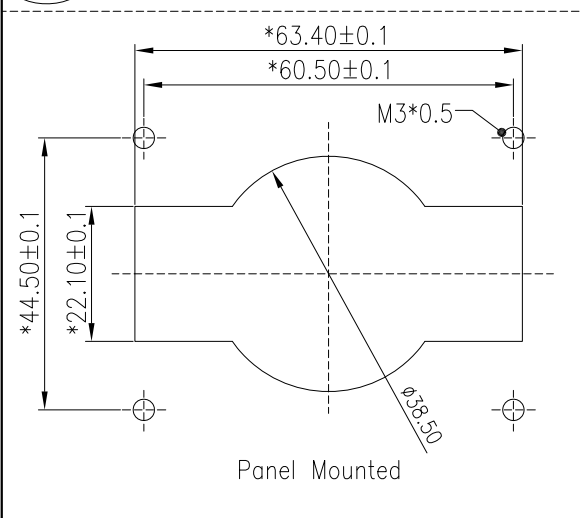
02



尺寸公差(mm)					电子线长度尺寸公差(mm)					0.05/10 ±T
0	>30	>60	>100	>150	0	50	150	300	>1000	
~30	~60	~100	~150	~150	~50	~150	~300	~1000	~35	
±0.20	±0.30	±0.50	±0.70	±1.00	±5	±10	±15	±25	±35	

01	额定电压/电流/Rated Voltage(V)/Current(A)	600V/65A
	绝缘电阻/Insulation Resistance	100MΩ
	耐电压/Withstanding Voltage	2200V
	额定冲击电压/Rated impulse voltage	6KV
	接触阻抗/Contact Resistance	≤4.5mΩ
	接线范围/Clamping range	0.5mm <sup>2</sup> -16mm <sup>2</sup>
	剥线长度/Strip length	15-16mm
03	冷压端子型号推荐/Recommended cold pressed terminal models	≤6mm <sup>2</sup> 带绝缘套冷压端子 6~16mm <sup>2</sup> 管型冷压端子
	防水等级/Levels of protection	IP66
	使用温度范围/Operating temperature(°C)	-40~+105°C
	符合RoHS环保要求/Conform to RoHS	Yes

01



Panel Mounted

03		增加掏料孔	YU JH	2023.04.18
02		增加掏料孔	YU JH	2023.02.10
01		增加TUV认证	YU JH	2022.09.14
REV	ECN	DESCRIPTION	DRFT	DATE

MATERIAL:	/	SURFACE:	/
MAT.NO.:	20140000054	宁波高松电子有限公司 NINGBO DEGSON ELECTRICAL CO., LTD	
STATUS:	/	Description:	
APPD:		DG043-PV-SC-05P-MM	
CHKD:		DRAWING NO.:	/
DRFT:	YU JH 2022.01.06	REV	03
SIZE: A4		TYPE:	PRODUCT DRAWING
		SCALE:	1:1
		SHEET	1/1

Transfer or duplication of this document as well as the utilization or communication of its contents are prohibited unless explicit authorization is granted. Violations will be liable for compensation. All rights reserved for patent, utility, model or designs registrations. 除非给予明确授权，否则禁止转让、复制、利用、交还本文件的内容。侵犯者将承担法律责任。本公司保留对涉及发明、实用新型和外观设计的所有权利。