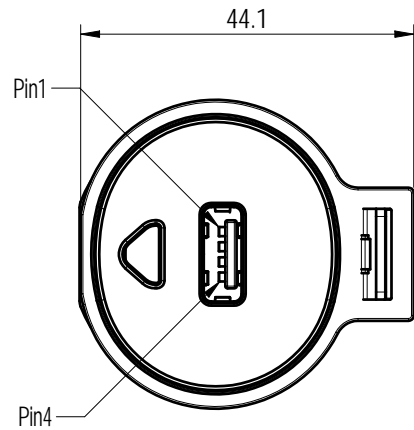


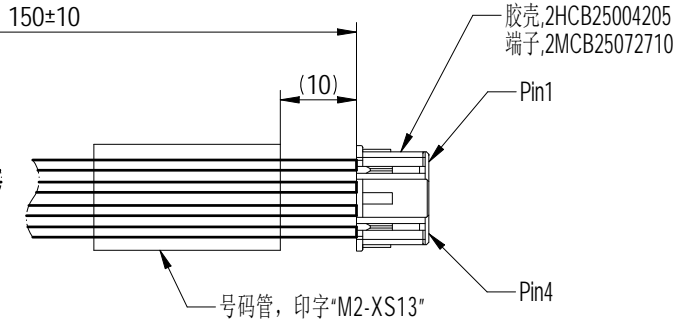
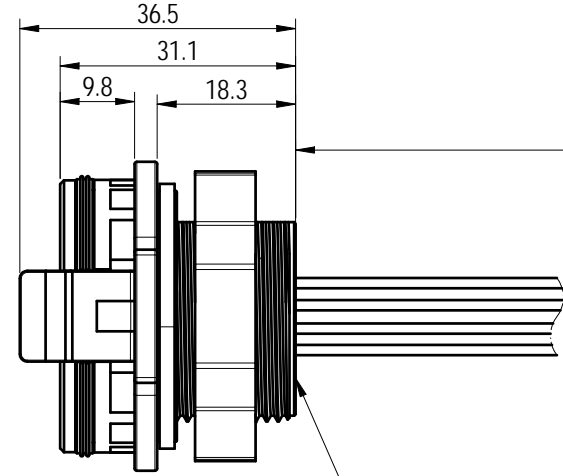
Transfer or duplication of this document as well as the utilization or communication of its content are prohibited unless authorized in writing by Degson. All rights reserved for patent. 除专利声明外，其他内容均受法律保护。未经许可，不得复制或传播。 0.1/10

Dimensional tolerances(mm)					Length tolerances(mm)				0.1/10
0	>30	>60	>100	>150	0	>5000	>10000	>30000	
-	-	-	-	-	-	-	-	-	±2°
±0.25	±0.35	±0.55	±0.80	±1.10	±55	±105	±205	±505	

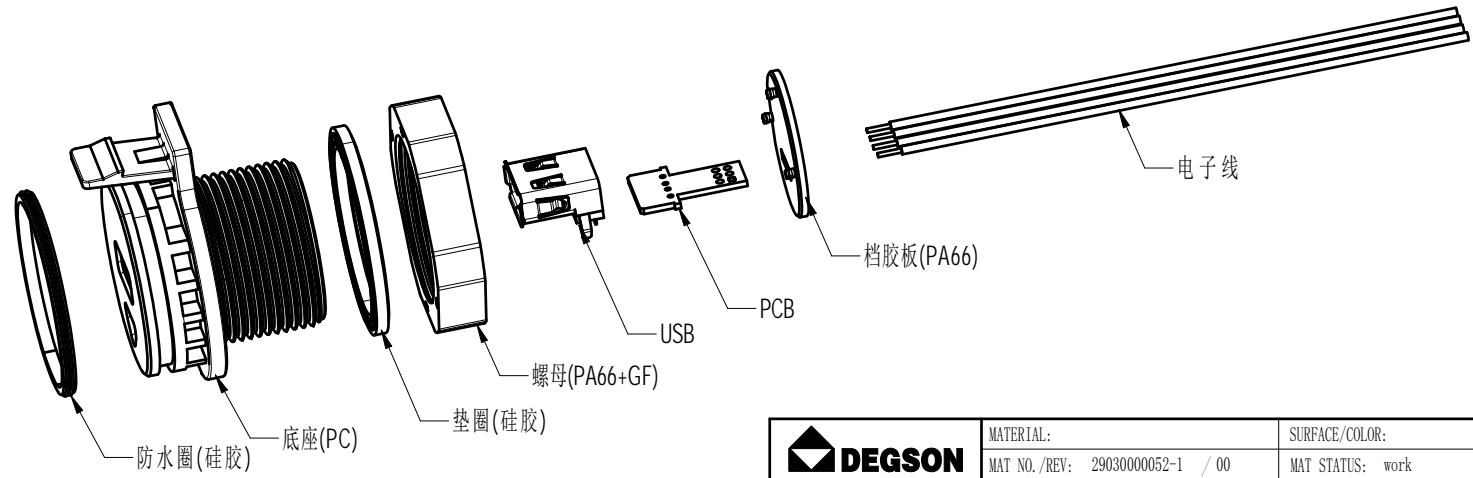
额定电压/Rated Voltage/Current	12V /0.7A
绝缘电阻/Insulation resistance	≥100MΩ
插拔次数/Mechanical working life(mating cycles)	100
使用温度范围/Operating temperature(°C)	-40~85
防护等级/Ingress protection	IP66(Mated)
线缆规格/Cable Specification	UL1061 22AWG
符合 RoHS 环保要求/Conform to RoHS	Yes



Conn. 1 [IP66(Mating)]



Conn. 2



4	2	黑	4
3	4	绿	3
2	5	白	2
1	6	红	1
Conn. 1	PCB板	Wire Color	Conn. 2
Pin Out			

00			袁子华	2024.07.24
REV	ECN	DESCRIPTION	DRFT	DATE
			袁子华	2024.07.24

	MATERIAL:	SURFACE/COLOR:
	MAT NO./REV: 29030000052-1 / 00	MAT STATUS: work
APPD:	NAME	
CHKD:	PV-ST-US-FM-PBC-01P-6-02Z(H)	
DRFT: 袁子华 2024.07.24	DRAWING NO. 200295309	TYPE CUSTOMER DRAWING
	DRAWING STATUS work	SCALE 1:1 SHEET 1/1