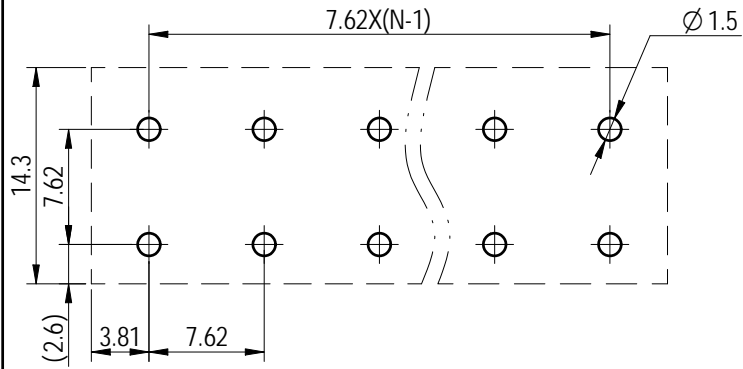
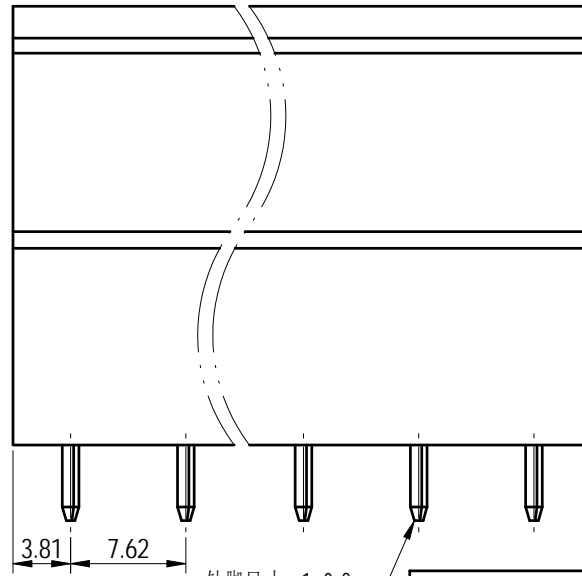
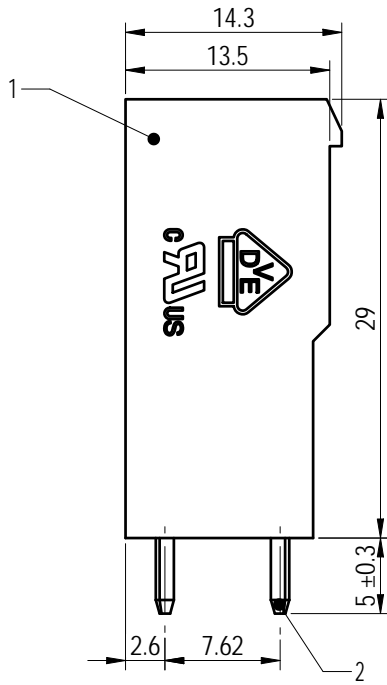
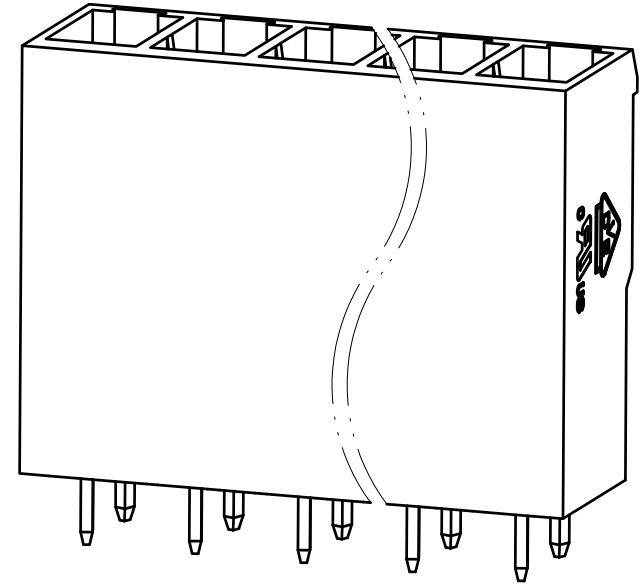
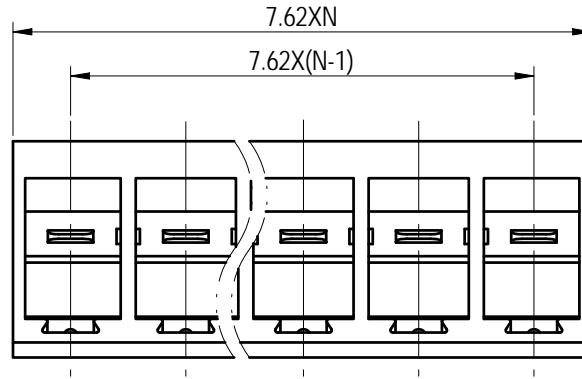


PCB LAYOUT



未注公差/General tolerances (mm)												0.1/10		
0 ~ 3	>3 ~ 6	>6 ~ 10	>10 ~ 18	>18 ~ 30	>30 ~ 50	>50 ~ 80	>80 ~ 120	>120 ~ 180	>180 ~ 250	>250 ~ 315	>315 ~ 400		>400 ~ 500	>500
±0.12	±0.18	±0.22	±0.26	±0.31	±0.37	±0.57	±0.80	±0.93	±1.05	±1.15	±1.60	±2.20	±2.50	±2'



Note:
The A&Z(H) in the name means: A(H) and Z(H).

ITEM	NAME OF PART	MATERIAL	NOTES
2	Pin header	Copper	Sn Plated
1	Housing	PBT	UL94V-0

UL 标准/UL Standard:	B	C	D
额定电压/电流/Rated Voltage(V)/Current(A)	300/30	300/30	/
IEC 标准/IEC Standard:			
过压类别/Overvoltage Category/污染等级/Pollution Degree	III/3	III/2	II/2
额定电压/电流/Rated Voltage(V)/Current(A)	/	400/32	/
额定脉冲电压(KV)/Rate Impulse Voltage(KV)	/	4	/
间距/Pitch(mm)/线数范围/Poles	7.62/N=02~12P		
使用温度范围/Operating temperature(°C)	-40~+130		
符合RoHS环保要求/Conform to RoHS	Yes		
标准颜色编号/Standard color number: PANTONE / RAL	/		

		MATERIAL:	SURFACE/COLOR:		
APPD: 兰春华 2022.09.08 CHKD: 龚耀志 2022.09.07 DRFT: 方哲盛 2022.09.07		MAT NO./REV: - / 00.01	MAT STATUS: 批量		
NAME					
5EDGVC-7.62-XXP-1Y-00A&Z(H)					
DRAWING NO.	TYPE	DRAWING STATUS	SCALE	SHEET	
200019358	CUSTOMER DRAWING	已发布	2:1	1/1	

REV	ECN	DESCRIPTION	DRFT	DATE
00			方哲盛	2022.09.07

Transfer or duplication of this document as well as the utilization or communication of its content are prohibited unless express and written authorization is granted. Violations will be treated as copyright infringement. All rights reserved for patent, utility model or design registrations. 除特别说明外，本文件的所有权利、复制、引用、分发等文件均受法律保护。未经书面许可，不得擅自复制或传播。侵权必究。所有权利、复制、引用、分发等文件均受法律保护。侵权必究。所有权利、复制、引用、分发等文件均受法律保护。侵权必究。