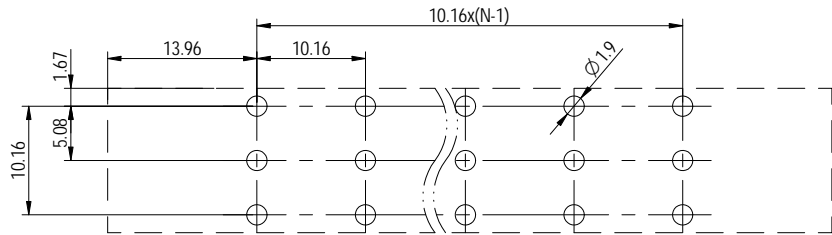
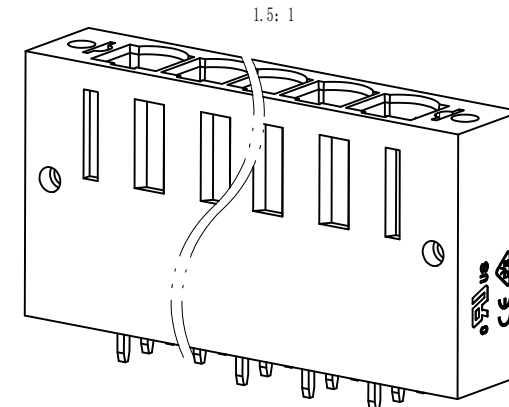
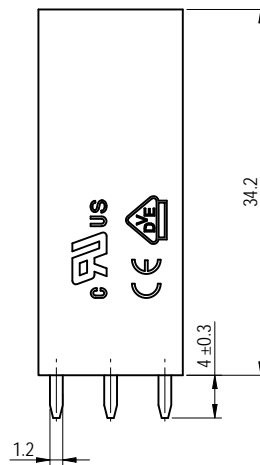
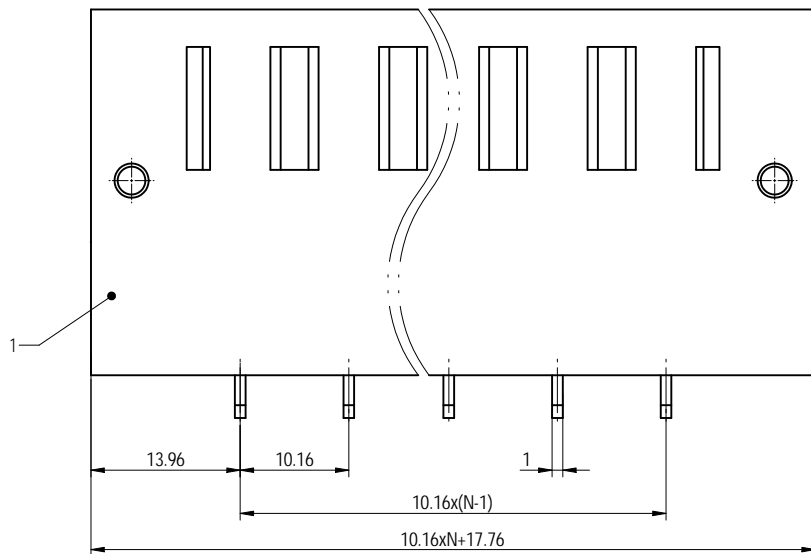
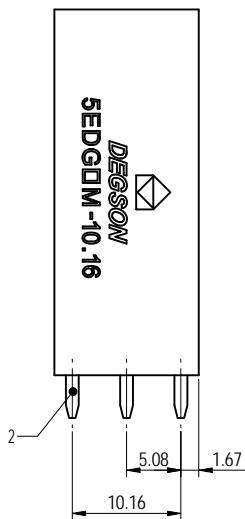
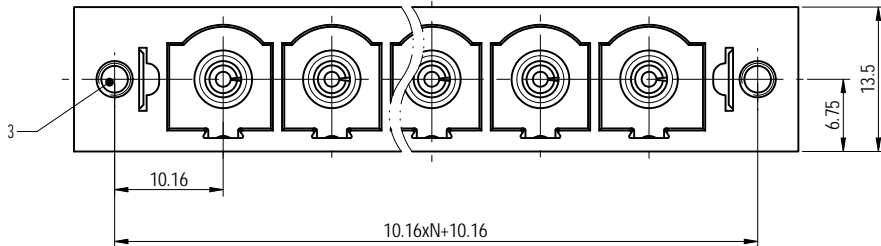


PCB LAYOUT



公差/General tolerances (mm)													D	
0	>3	>6	>10	>18	>30	>50	>80	>120	>180	>250	>315	>400	>500	0.1/10
~	~	~	~	~	~	~	~	~	~	~	~	~	~	N
±0.12	±0.18	±0.22	±0.26	±0.31	±0.37	±0.57	±0.80	±0.93	±1.05	±1.15	±1.60	±2.20	±2.50	±2



Note:
The A&Z(H) in the name means:A(H) and Z(H).

ITEM	NAME OF PART	MATERIAL	NOTES
3	Nut	Steel	M3/Zn Plated
2	Pin header	Copper	Ag Plated
1	Housing	PA66	UL94V-0

UL 标准/UL Standard:	B	C	D
额定电压/电压/Rated Voltage(V)/Current(A)	300/52	300/52	600/5
IEC 标准/IEC Standard:			
过压类别/Overvoltage Category/污染等级/Pollution Degree	III/3	III/2	II/2
额定电压/电压/Rated Voltage(V)/Current(A)	600/57	/	/
额定脉冲电压(KV)/Rate Impulse Voltage(KV)	6	/	/
间距/Pitch(mm)/线数范围/Poles	10.16/N=02-08P		
使用温度范围/Operating temperature(°C)	-40~+105		
符合RoHS环保要求/Conform to RoHS	Yes		

DEGSON		MATERIAL:	SURFACE/COLOR:		
APPD: 兰春华	2023.03.06	MAT NO./REV: - / 00	MAT STATUS: 批量		
CHKD: 姜耀志	2023.03.06	NAME: 5EDGVM-10.16-XXP-1Y-00A&Z(H)			
DRFT: 周锦锋	2023.03.06	DRAWING NO. 200021300	TYPE CUSTOMER DRAWING	DRAWING STATUS 已发布	SCALE 2:1
REV	ECN	DESCRIPTION	DRFT	DATE	SHEET 1/1

REV	ECN	DESCRIPTION	DRFT	DATE
00			周锦锋	2023.03.06

Transfer or duplication of this document as well as the utilization of its contents in any form without the written permission of DEGSON is prohibited. All rights reserved for patent. 未经授权复制或传播本文件及其内容，或以任何形式利用其内容，均须经 DEGSON 书面许可。保留所有权利。如有侵权，本公司保留追究法律责任的权利。