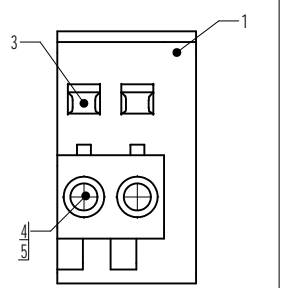
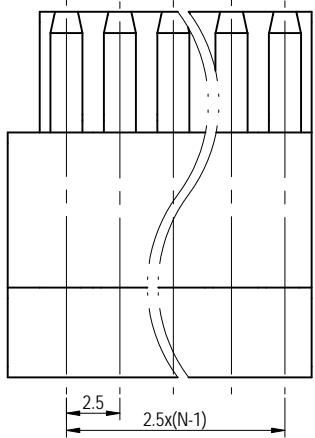


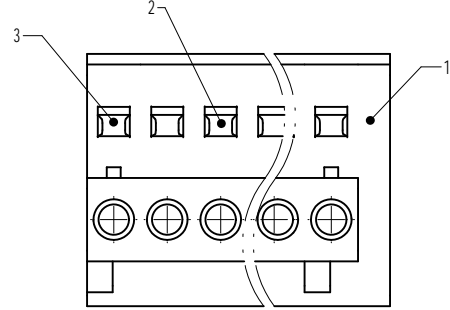
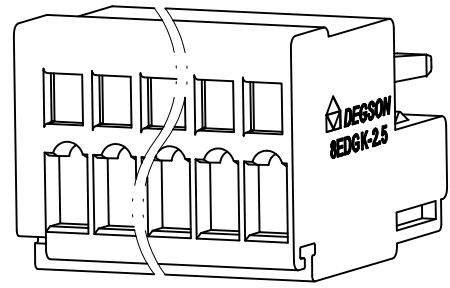
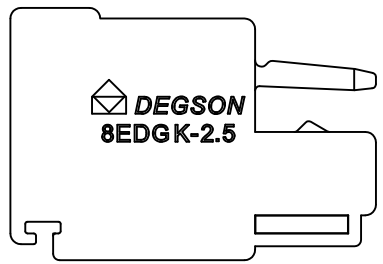
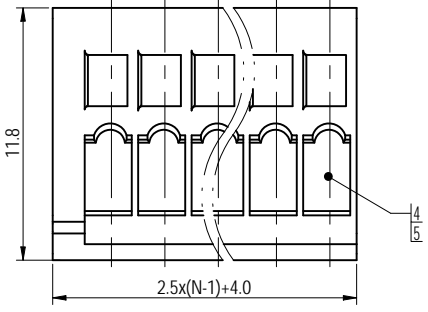
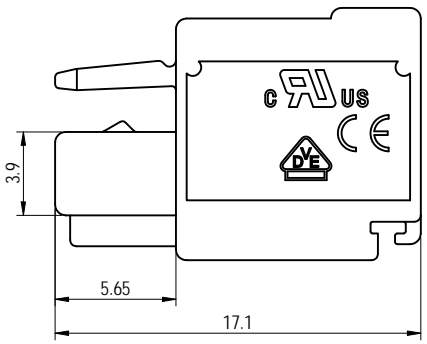
03P



02P



2.5  
2.5x(N-1)



公差/General tolerances (mm)														
0	>3	>6	>10	>18	>30	>50	>80	>120	>180	>250	>315	>400	>500	0.1/10
~	~	~	~	~	~	~	~	~	~	~	~	~	~	±2
±0.12	±0.18	±0.22	±0.26	±0.31	±0.37	±0.57	±0.80	±0.93	±1.05	±1.15	±1.60	±2.20	±2.50	
UL 标准/UL Standard:														
额定电压/电流/Rated Voltage (V)/Current (A)														
B														
C														
D														
IEC 标准/IEC Standard:														
过压类别/Overvoltage Category/污染等级/Pollution Degree														
III/3														
III/2														
II/2														
额定电压/电流/Rated Voltage (V)/Current (A)														
130/6														
/														
/														
额定脉冲电压 (KV)/Rate Impulse Voltage (KV)														
2.5														
/														
/														
线径范围 (硬线和软线)/Wire Range (rigid and flexible) (AWG/mm²)														
28~20/ 0.2~0.5														
间距/Pitch (mm)/线数范围/Poles														
2.5/N=02~24P														
剥线长度/Stripping length (mm)														
6~7														
使用温度范围/Operating temperature (°C)														
-40~+105														
符合RoHS环保要求/Conform to RoHS														
Yes														
标准颜色编号/Standard color number: PANTONE / RAL														
/														

Note: The A&Z (H) in the name means: A(H) and Z(H).

ITEM	NAME OF PART	MATERIAL	NOTES
5	Spring	Stainless_steel	/
4	Clamp	Copper_alloy	Sn plated
3	Housing2	PA66	UL94V-0
2	Housing1	PA66	UL94V-0
1	Cover	PA66	UL94V-0

<b>DEGSON</b>		MATERIAL:		SURFACE/COLOR: Pantone 428C	
APPD: 兰春华	2022.10.26	NAME:	8EDGK-2.5-XXP-11-01A&Z(H)		
CHKD: 黄耀志	2022.10.26	MAT NO./REV:	/ 00		
DRAFT: 方哲盛	2022.10.25	DRAWING NO.	TYPE	DRAWING STATUS	SCALE
REV	ECN	DESCRIPTION	DRAFT	DATE	SHEET
00			方哲盛	2022.10.25	1/1
④	A3	200019365	CUSTOMER DRAWING	已发布	4:1

Transfer or duplication of this document as well as the utilization of its contents without the written permission of DEGSON is prohibited. All rights reserved for patent. 未经授权复制或传播本文件及其内容，或未经许可使用其内容，均属侵权行为。DEGSON 保留所有权利。未经许可，不得复制或传播本文件及其内容。DEGSON 保留所有权利。