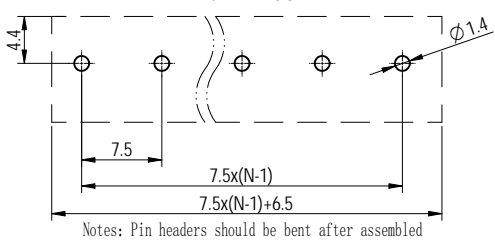
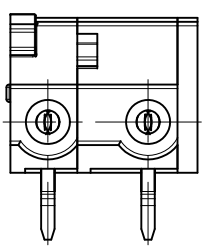
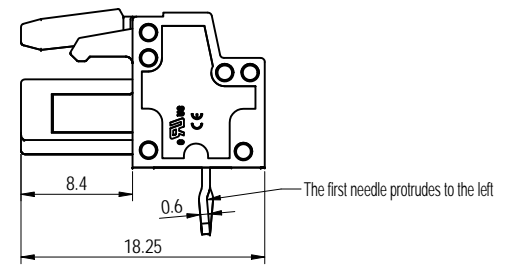
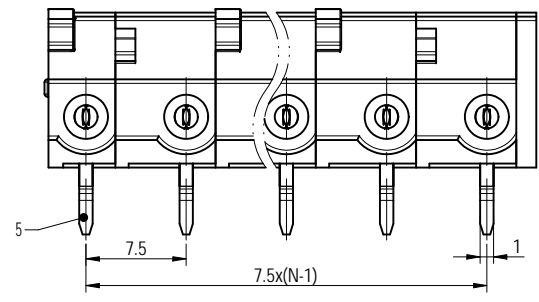
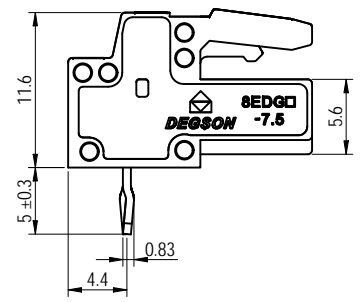
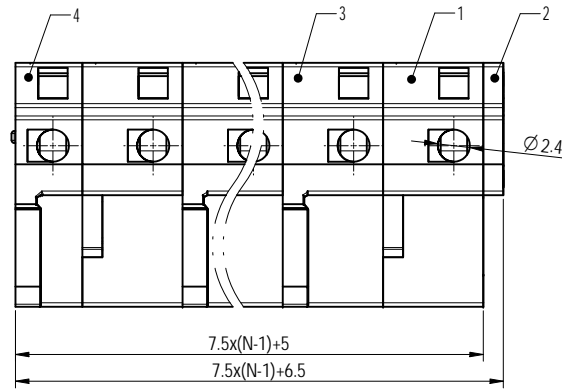
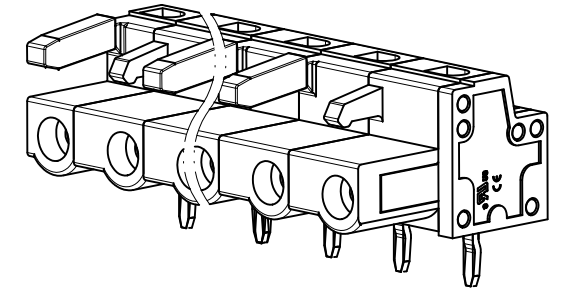


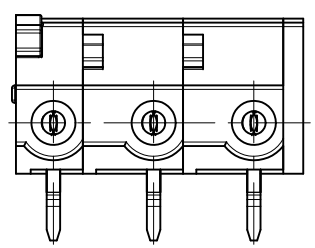
PCB LAYOUT



公差 (General tolerances (mm))													0.1/10	
0	>3	>6	>10	>18	>30	>50	>80	>120	>180	>250	>315	>400	>500	D
±0.12	±0.18	±0.22	±0.26	±0.31	±0.37	±0.57	±0.80	±0.93	±1.05	±1.15	±1.60	±2.20	±2.50	



02P



03P

UL 标准/UL Standard	B	C	D
额定电压/电压/Rated Voltage(V)/Current(A)	300/15	/	300/10
IEC 标准/IEC Standard:			
过压类别/Overvoltage Category/污染等级/Pollution Degree	III/3	III/2	II/2
额定电压/电压/Rated Voltage(V)/Current(A)	320/20	/	/
额定脉冲电压(KV)/Rate Impulse Voltage(KV)	4	/	/
间距/Pitch(mm)/线数范围/Poles	7.5/N=02~12P		
使用温度范围/Operating temperature(°C)	-40~+105		
符合RoHS环保要求/Conform to RoHS	Yes		
5	Clamp	Copper	Sn Plated
4	Side Housing	PA66	UL94V-0
3	Housing 2	PA66	UL94V-0
2	Cover	PA66	UL94V-0
1	Housing 1	PA66	UL94V-0
ITEM	NAME OF PART	MATERIAL	NOTES

	MATERIAL:	SURFACE/COLOR: PANTONE 7530
	MAT NO./REV: - / 00	MAT STATUS: 批量

APPD: 竺春华	2024.12.05	NAME	8EDGA-7.5-XXP-11-01A&Z(H)		
CHKD: 袁耀志	2024.12.05	DRAWING NO.	200114382	TYPE	CUSTOMER DRAWING
DRFT: 方哲盛	2024.12.05	DRAWING STATUS	已发布	SCALE	2.5:1
REV	ECN	DESCRIPTION	DRFT	DATE	SHEET
00			方哲盛	2024.12.05	1/1

REV	ECN	DESCRIPTION	DRFT	DATE	SHEET
00			方哲盛	2024.12.05	1/1

Transfer or duplication of this document as well as the utilization of its contents without the written consent of DEGSON is prohibited. All rights reserved for patent. 未经授权复制或传播本文件及其内容，或在本文件基础上进行任何修改，均属于侵权行为。DEGSON 保留所有权利。