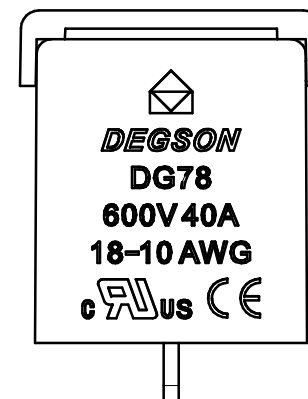
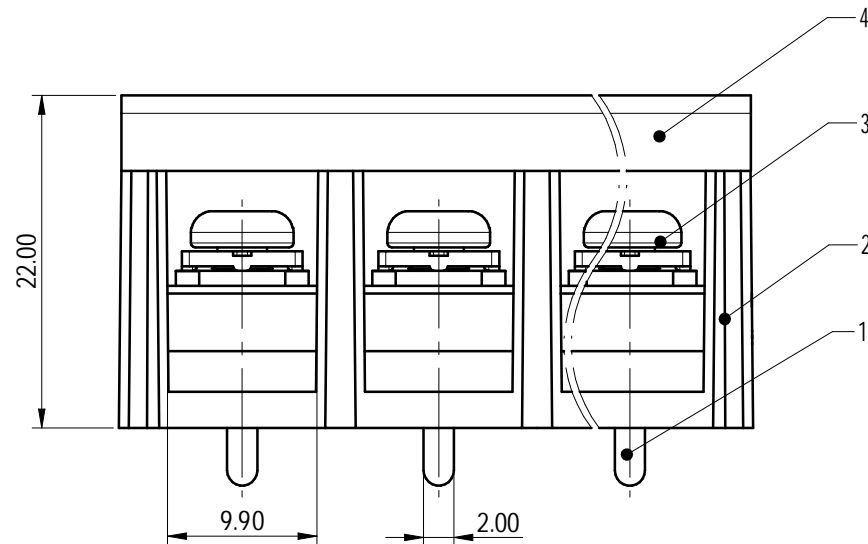
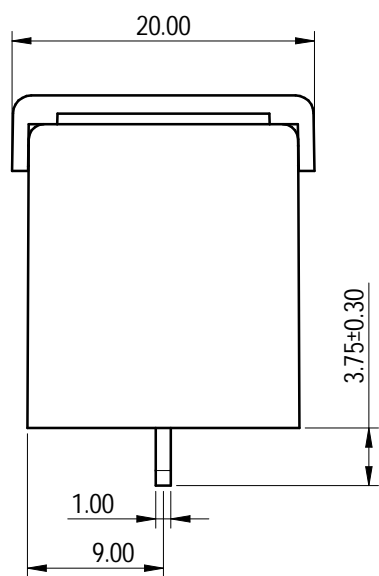
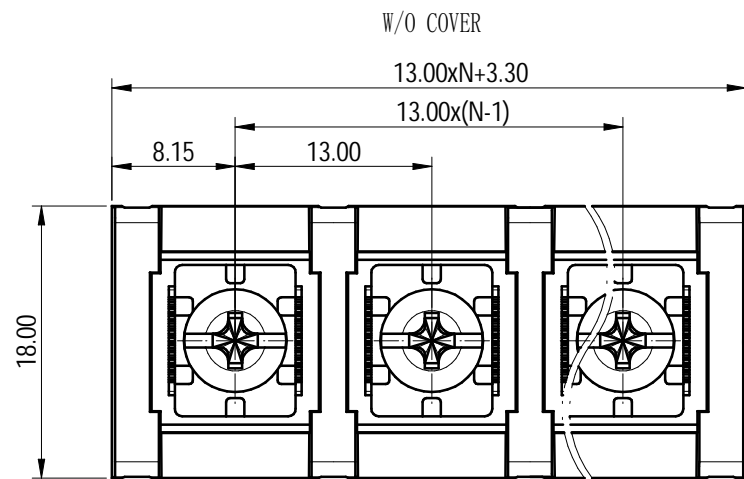
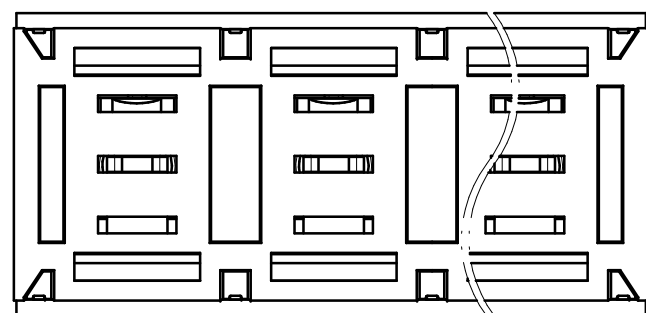
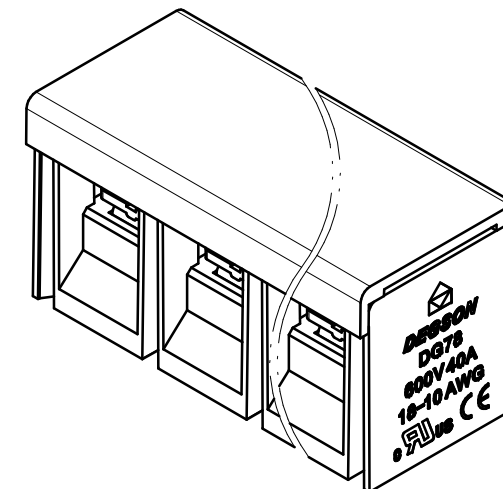


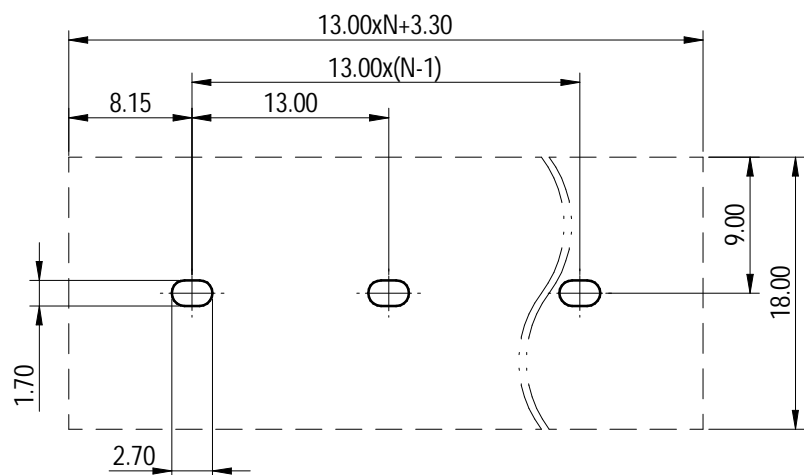
未注公差/General tolerances (mm)														
0	>3	>6	>10	>18	>30	>50	>80	>120	>180	>250	>315	>400	>500	0.1/10
~3	~6	~10	~18	~30	~50	~80	~120	~180	~250	~315	~400	~500	>500	±2'
±0.12	±0.18	±0.22	±0.26	±0.31	±0.37	±0.57	±0.80	±0.93	±1.05	±1.15	±1.60	±2.20	±2.50	
UL 标准/UL Standard:											B	C	D	
额定电压/电流/Rated Voltage(V)/Current(A)											600/40	600/40	600/5	
UL 工频耐压/R.M.S withstand voltage											AC2000V/1Min			
螺丝扭矩/Torque Tightening(N·m/Lb.in)											M4, 1.2/10.5			
线径范围(硬线和软线)/Wire Range(rigid and flexible)(AWG)											18-10			
间距/Pitch(mm)/线数范围/Poles											13.00/N=02~20P			
使用温度范围/Operating temperature(°C)											-40~+105			
符合 RoHS 环保要求/Conform to RoHS											Yes			



Unmarked dimensions refer to 3D model



PCB LAYOUT



Notes: The A&Z(H) in the name means:A(H) and Z(H)

4	Cover	PC	UL94V-2
3	Screw	Steel	Ni Plated
2	Housing	PA66+GF	UL94V-0
1	Pin header	Copper alloy	Sn Plated
ITEM	NAME OF PART	MATERIAL	NOTES

DEGSON		MATERIAL: /	SURFACE/COLOR: /	
APPD: 核准人		MAT NO./REV: /	MAT STATUS: /	
CHKD: 审核人		NAME		
DRFT: 设计人		DG78C-B-02P-1Y-00A&Z(H)		
DRAWING NO.	TYPE	DRAWING STATUS	SCALE	SHEET
200123004	CUSTOMER DRAWING	/	2:1	1/1

图纸版本	00	/	/	/
REV	ECN	DESCRIPTION	DRFT	DATE

Transfer or duplication of this document as well as the utilization or communication of its contents are prohibited unless explicit authorization is granted. Violations will be liable for compensation. All rights reserved for patent, utility model or design registrations. 除经书面许可外, 复制或传播本文件内容, 或在本文件内容基础上进行任何形式的使用, 均属于侵权行为, 本公司保留追究法律责任的权利。 未经授权, 禁止复制或传播本文件内容, 违者将承担法律责任。 所有权利保留。