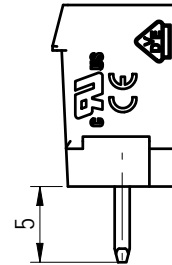
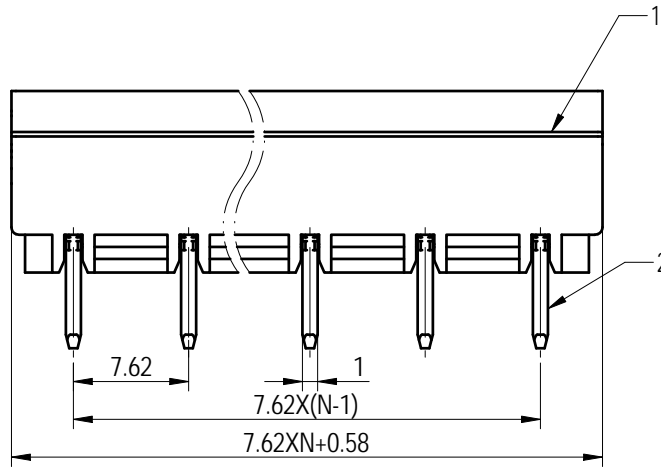
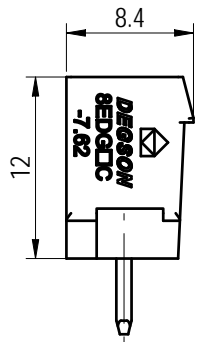
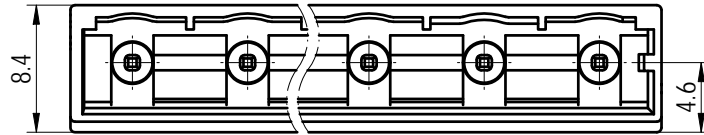
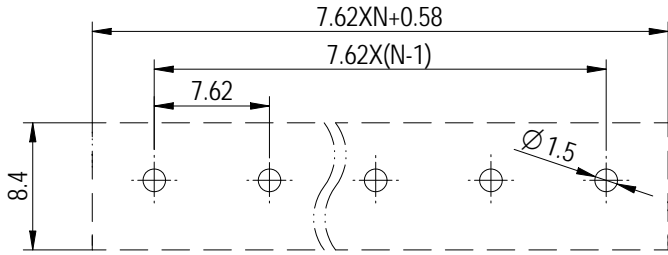
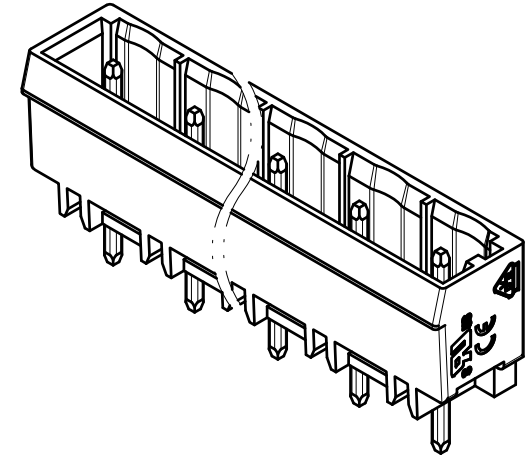


PCB LAYOUT



未注公差/General tolerances (mm)											0.1/10			
0 ~ 3	>3 ~ 6	>6 ~ 10	>10 ~ 18	>18 ~ 30	>30 ~ 50	>50 ~ 80	>80 ~ 120	>120 ~ 180	>180 ~ 250	>250 ~ 315		>315 ~ 400	>400 ~ 500	>500
±0.12	±0.18	±0.22	±0.26	±0.31	±0.37	±0.57	±0.80	±0.93	±1.05	±1.15	±1.60	±2.20	±2.50	±2'



ITEM	NAME OF PART	MATERIAL	NOTES
2	Pin Header	Copper	Sn Plated
1	Housing	PA66	UL94V-0
UL 标准/UL Standard:		B	C D
额定电压/电流/Rated Voltage(V)/Current(A)		300/15	300/15 300/10
IEC 标准/IEC Standard:			
过压类别/Overvoltage Category/污染等级/Pollution Degree		III/3	III/2 II/2
额定电压/电流/Rated Voltage(V)/Current(A)		250/20	/ /
额定脉冲电压(KV)/Rate Impulse Voltage(KV)		4	/ /
间距/Pitch(mm)/线数范围/Poles		7.62/N=02~12P	
使用温度范围/Operating temperature(°C)		-40~+105	
符合RoHS环保要求/Conform to RoHS		Yes	

		MATERIAL:	SURFACE/COLOR: PANTONE 7534U		
APPD: 兰春华 2024.11.19		MAT NO./REV:	/ 00 MAT STATUS: 批量		
CHKD: 龚耀志 2024.11.19		NAME			
DRFT: 牛泰 2024.11.19		8EDGVC-7.62-XXP-11-01A&Z (H)			
DRAWING NO.	TYPE	DRAWING STATUS	SCALE	SHEET	
200319843	CUSTOMER DRAWING	已发布	2:1	1/2	

REV	ECN	DESCRIPTION	DRFT	DATE
00			牛泰	2024.11.19

Transfer or duplication of this document as well as the utilization or communication of its content are prohibited unless authorized in writing by DEGSON. All rights reserved for patent. 除专利注明情况外，未经许可，不得复制或传播。 未经授权，不得复制或传播。 未经授权，不得复制或传播。 未经授权，不得复制或传播。