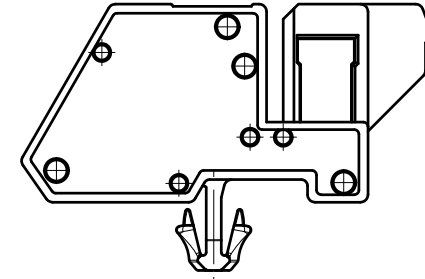
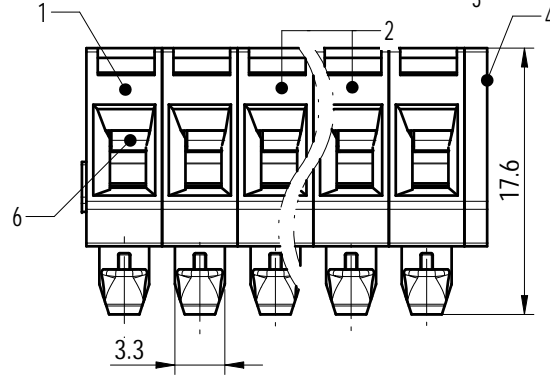
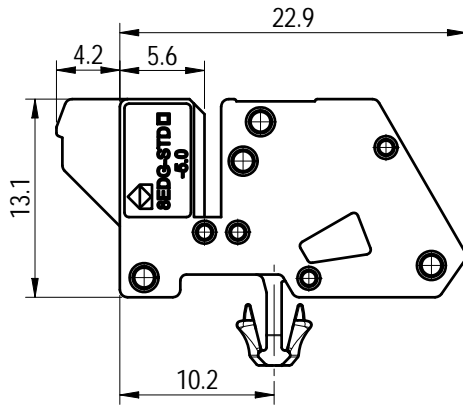
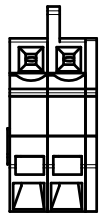


未注公差/General tolerances (mm)													0.1/10	
0 ~ 3	>3 ~ 6	>6 ~ 10	>10 ~ 18	>18 ~ 30	>30 ~ 50	>50 ~ 80	>80 ~ 120	>120 ~ 180	>180 ~ 250	>250 ~ 315	>315 ~ 400	>400 ~ 500		>500
±0.12	±0.18	±0.22	±0.26	±0.31	±0.37	±0.57	±0.80	±0.93	±1.05	±1.15	±1.60	±2.20	±2.50	±2'

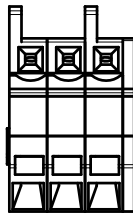
UL 标准/UL Standard:	B	C	D
额定电压/电流/Rated Voltage(V)/Current(A)	300/15	/	300/10
IEC 标准/IEC Standard:			
过压类别/Ovenvoltage Category/污染等级/Pollution Degree	III/3	III/2	II/2
额定电压/电流/Rated Voltage(V)/Current(A)	320/20	/	/
额定脉冲电压(KV)/Rate Impulse Voltage(KV)	4	/	/
线径范围(硬线和软线)/Wire Range(rigid and flexible)(AWG/mm ²)	22~14/ 0.2~2.5		
间距/Pitch(mm)/线数范围/Poles	5.0/N=02~24P		
剥线长度/Stripping length(mm)	7~8		
使用温度范围/Operating temperature(°C)	-40~+105		
符合RoHS环保要求/Conform to RoHS	Yes		



6	Spring	Stainless Steel	/
5	Clamp	Copper alloy	Sn Plated
4	Cover	PA66	UL94V-0
3	Housing2	PA66	UL94V-0
2	Mid housing	PA66	UL94V-0
1	Housing1	PA66	UL94V-0
ITEM	NAME OF PART	MATERIAL	NOTES



02P



03P

REV	ECN	DESCRIPTION	DRFT	DATE
00			杨帅杰	2024.11.28



MATERIAL:	SURFACE/COLOR: PANTONE 7534 U
MAT NO./REV:	/ 00 MAT STATUS: 批量

APPD: 兰春华	2024.11.28	NAME	8EDG-STDD-5.0-XXP-11-01A&Z(H)		
CHKD: 刘强	2024.11.28	DRFT: 杨帅杰	2024.11.28	DRAWING NO.	200320984
				TYPE	CUSTOMER DRAWING
				DRAWING STATUS	已发布
				SCALE	2:1
				SHEET	1/1

Transfer or duplication of this document as well as the utilization or communication of its contents are prohibited unless expressly authorized by Degson. All rights reserved for patent. 未经授权，禁止复制或传播本文件的内容。如有侵权，必究。如有任何关于本文件的内容，请联系 Degson 公司。Degson 公司保留所有权利。