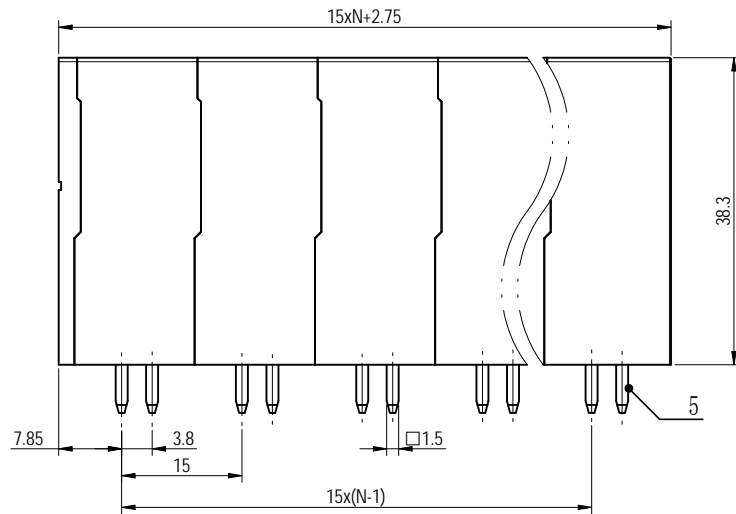
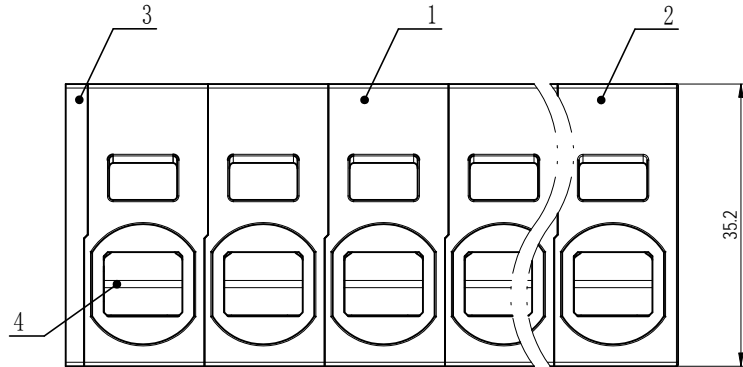
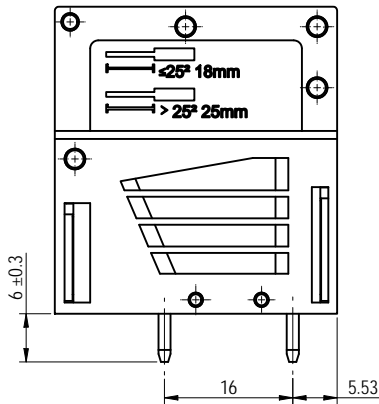
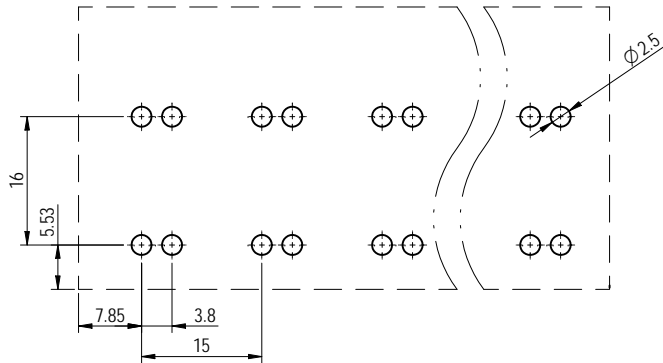
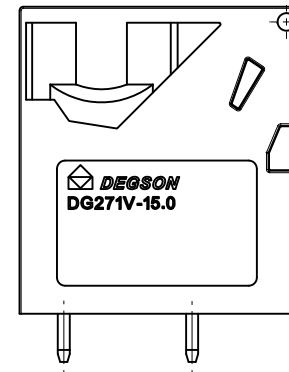
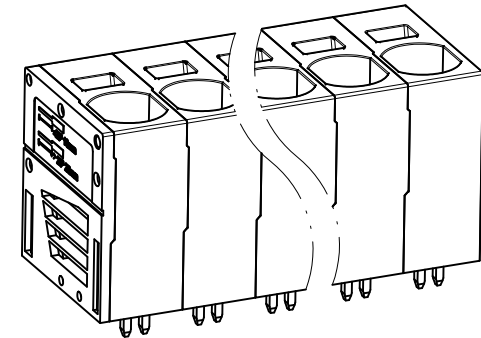


PCB LAYOUT



未注公差/General tolerances (mm)										$\frac{\Delta}{\phi}$												
0	>3	>6	>10	>18	>30	>50	>80	>120	>180	>250	>315	>400	>500	0.1/10								
~	~	~	~	~	~	~	~	~	~	~	~	~	~	$\pm 2$								
3	6	10	18	30	50	80	120	180	250	315	400	500	>500									
±0.12										±0.18	±0.22	±0.26	±0.31	±0.37	±0.57	±0.80	±0.93	±1.05	±1.15	±1.60	±2.20	±2.50
UL 标准/UL Standard:										B	C	D										
额定电压/电流/Rated Voltage(V)/Current(A)										600/101	600/101	600/5										
IEC 标准/IEC Standard:																						
过压类别/Overvoltage Category/污染等级/Pollution Degree										III/3	III/2	II/2										
额定电压/电流/Rated Voltage(V)/Current(A)										1000/125	1000/125	1000/125	1000/125									
额定脉冲电压(kV)/Rate Impulse Voltage(kV)										8	8	6										
螺丝扭矩/Torque Tightening(N·m/Lb.in)										/												
线径范围(硬线和软线)/Wire Range(rigid and flexible)(AWG/mm <sup>2</sup> )										14~2 / 1.5~35												
间距/Pitch(mm)/线数范围/Poles										15.0/N=1~6P												
剥线长度/Stripping length(mm)										24~25												
使用温度范围/Operating temperature(°C)										-40~+105												
符合RoHS环保要求/Conform to RoHS										Yes												

SCALE 1:1



5	Pin_header	Copper	Sn plated
4	Spring	Stainless_steel	/
3	Cover	PA66	UL94V-0
2	Side_housing	PA66	UL94V-0
1	Mid_housing	PA66	UL94V-0
ITEM	NAME OF PART	MATERIAL	NOTES

		MATERIAL:		SURFACE/COLOR:	
APPD: 竺泰华	2022.09.19	NAME:	/ 00 MAT STATUS: 批量		
CHKD: 陈超	2022.09.19	DG271V-15.0-XXP-1Y-00A&Z(H)			
DRFT: 巴宇辉	2022.09.19	DRAWING NO.	TYPE	DRAWING STATUS	SCALE
		200074682	CUSTOMER DRAWING	已发布	1.5:1
REV	ECN	DESCRIPTION	DRFT	DATE	SHEET
00			巴宇辉	2022.09.19	1/1

Transfer or duplication of this document as well as the utilization of its contents without the written permission of DEGSON is prohibited. All rights reserved for patent. 复制或再行发布此文件以及其内容的使用，未经 DEGSON 书面许可，是严格禁止的。保留所有权利，侵权必究。