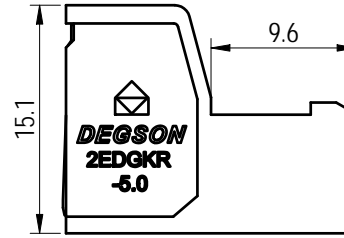
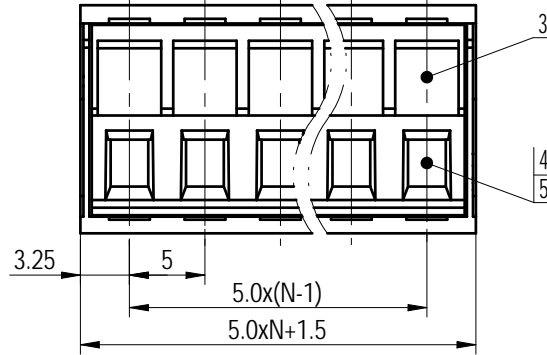
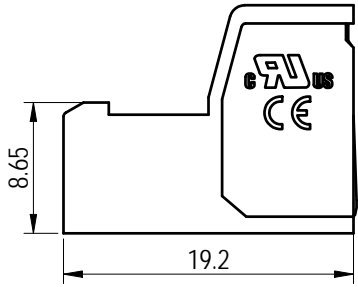
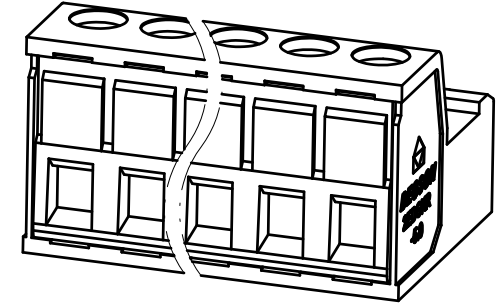
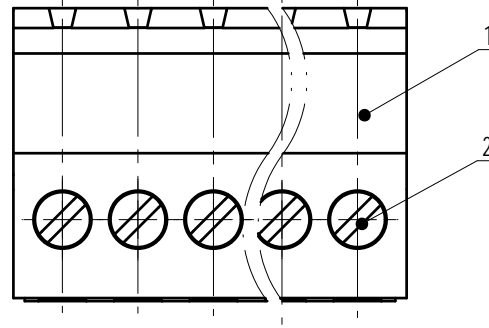


未注公差/General tolerances (mm)													0.1/10
0	>3	>6	>10	>18	>30	>50	>80	>120	>180	>250	>315	>400	
~3	~6	~10	~18	~30	~50	~80	~120	~180	~250	~315	~400	~500	±2°
±0.12	±0.18	±0.22	±0.26	±0.31	±0.37	±0.57	±0.80	±0.93	±1.05	±1.15	±1.60	±2.20	



Note:
The A&Z(H) in the name means: A(H) and Z(H).

ITEM	NAME OF PART	MATERIAL	NOTES
5	Pin	Copper	Sn Plated
4	Cage	Copper alloy	M3/Ni Plated
3	Cover	PA66	UL94V-0
2	Screw	Steel	M3/Zn Plated
1	Housing	PA66	UL94V-0

UL 标准/UL Standard:	B	C	D
额定电压/电流/Rated Voltage(V)/Current(A)	300/15	/	300/10
IEC 标准/IEC Standard:			
过压类别/Overvoltage Category/污染等级/Pollution Degree	III/3	III/2	II/2
额定电压/电流/Rated Voltage(V)/Current(A)	/	320/20	/
额定脉冲电压(KV)/Rate Impulse Voltage(KV)	/	4	/
螺丝扭矩/Torque Tightening(N·m/Lb.in)	M3, 0.8/7.1		
线径范围(硬线和软线)/Wire Range(rigid and flexible)(AWG/mm ²)	28~12/ 0.2~2.5		
间距/Pitch(mm)/线数范围/Poles	5.0/N=02~24P		
剥线长度/Stripping length(mm)	7~8		
使用温度范围/Operating temperature(°C)	-40~+105		
符合RoHS环保要求/Conform to RoHS	Yes		
标准颜色编号/Standard color number: PANTONE / RAL	/		



APPD: 兰春华	2022.09.27
CHKD: 龚耀志	2022.09.26
DRFT: 刘强	2022.09.26

MATERIAL:	SURFACE/COLOR:	
MAT NO./REV:	/ 00	MAT STATUS: 批量
NAME	2EDGKR-5.0-XXP-1Y-00A&Z(H)	
DRAWING NO.	TYPE	DRAWING STATUS
200030351	CUSTOMER DRAWING	已发布
SCALE	SHEET	
2:1	1/1	

REV	ECN	DESCRIPTION	DRFT	DATE
00			刘强	2022.09.26

Transfer or duplication of this document as well as the utilization or communication of its contents are prohibited unless explicit authorization is granted. Violations will be liable for compensation. All rights reserved for patent, utility model or design registrations. 除非指明授权, 否则禁止再出, 复制, 利用, 发布本文档内容。 侵犯专利及设计权, 侵权者将承担赔偿责任。 本公司保留所有权利。