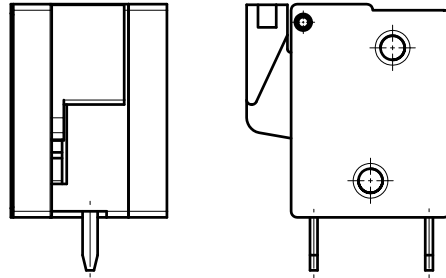
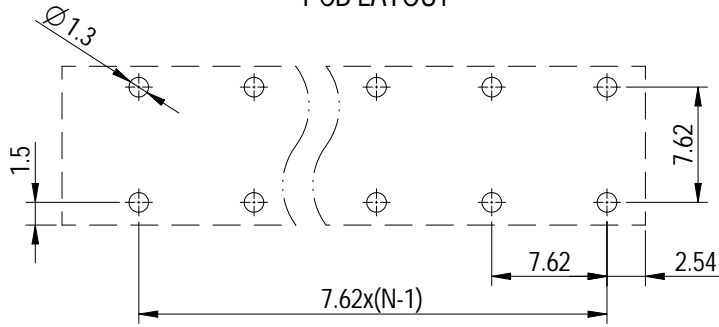
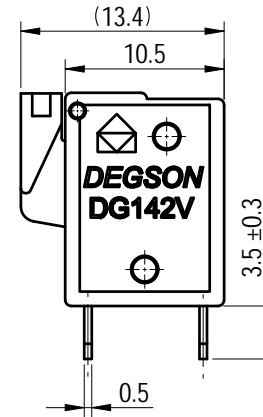
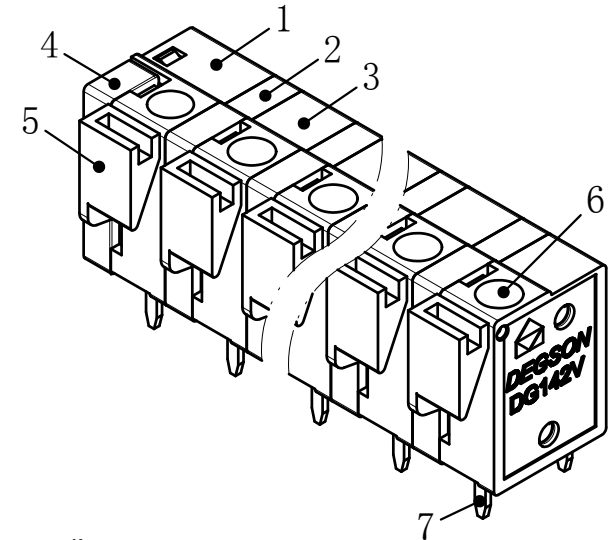
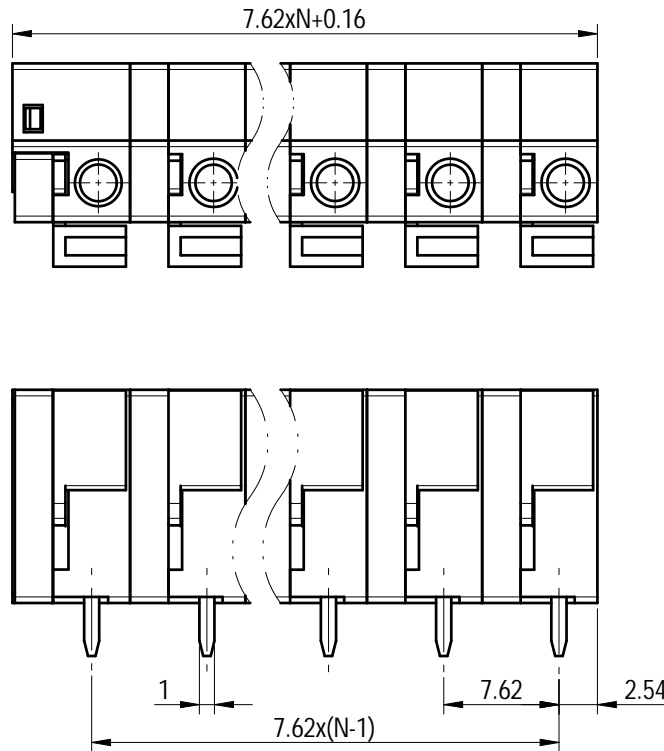


PCB LAYOUT

01P



未注公差/General tolerances (mm)												0.1/10	
0	>3	>6	>10	>18	>30	>50	>80	>120	>180	>250	>315		>400
~3	~6	~10	~18	~30	~50	~80	~120	~180	~250	~315	~400	~500	~500
±0.12	±0.18	±0.22	±0.26	±0.31	±0.37	±0.57	±0.80	±0.93	±1.05	±1.15	±1.60	±2.20	±2.50
UL 标准/UL Standard:											B	C	D
额定电压/电流/Rated Voltage(V)/Current(A)											300/10	300/10	/
IEC 标准/IEC Standard:													
过压类别/Overvoltage Category/污染等级/Pollution Degree											III/3	III/2	II/2
额定电压/电流/Rated Voltage(V)/Current(A)											320/15	320/15	630/15
额定脉冲电压(KV)/Rate Impulse Voltage(KV)											4	4	4
线径范围(硬线和软线)/Wire Range(rigid and flexible)(AWG/mm ²)											22~16 / 0.2~1.5		
间距/Pitch(mm)/线数范围/Poles											7.62/N=01~16P		
剥线长度/Stripping length(mm)											10		
使用温度范围/Operating temperature(°C)											-40~+105		
符合RoHS环保要求/Conform to RoHS											Yes		



Note:
The A&Z(H) in the name means: A(H) and Z(H).

ITEM	NAME OF PART	MATERIAL	NOTES
7	Pin header	Copper alloy	Sn plated
6	Spring	Stainless steel	/
5	Button	PA66	UL94V-0
4	Cover	PA66	UL94V-0
3	Housing 2	PA66	UL94V-0
2	Clapboard	PA66	UL94V-0
1	Housing 1	PA66	UL94V-0

		MATERIAL:	SURFACE/COLOR:		
APPD: 兰春华 2023.01.31		MAT NO./REV: - / 00	MAT STATUS: 批量		
CHKD: 陈招 2023.01.31		NAME			
DRFT: 巴宇辉 2023.01.31		DG142V-7.62-XXP-1Y-1000A&Z(H)			
00	REV	ECN	DESCRIPTION	巴宇辉	2023.01.31
DRAWING NO. 200140207		TYPE CUSTOMER DRAWING	DRAWING STATUS 已发布	SCALE 2:1	SHEET 1/1

Transfer or duplication of this document as well as the utilization or communication of its contents are prohibited unless authorized in writing by DEGSON. All rights reserved for patent, utility model or design registrations. 除专利、商标、实用新型、外观设计、软件著作权等权利外，其他权利均归 DEGSON 所有。未经许可，不得复制或传播。 01P