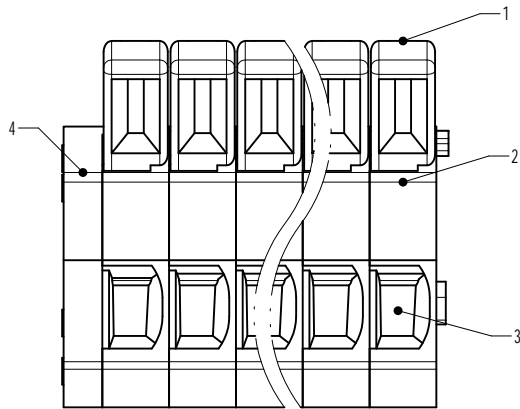
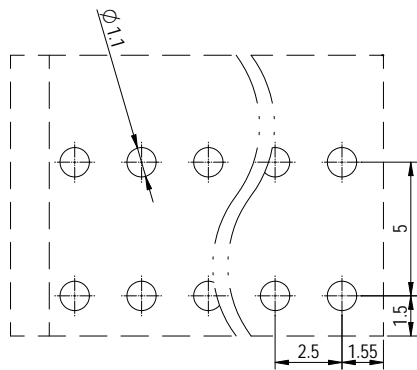
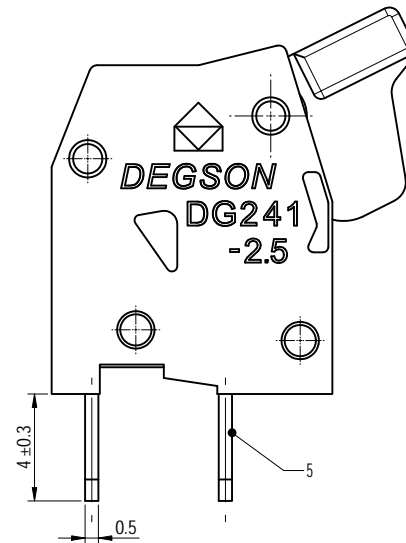
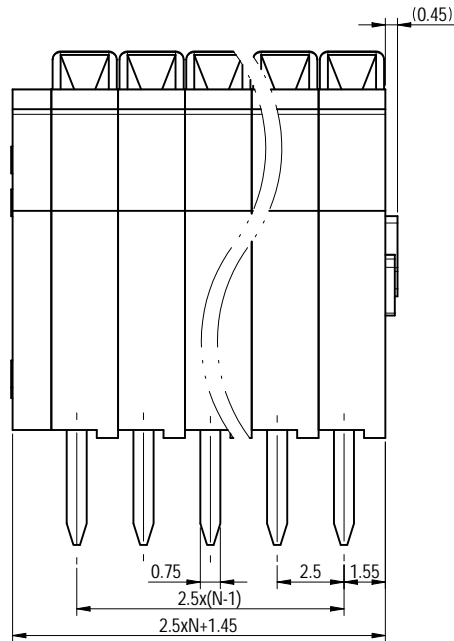
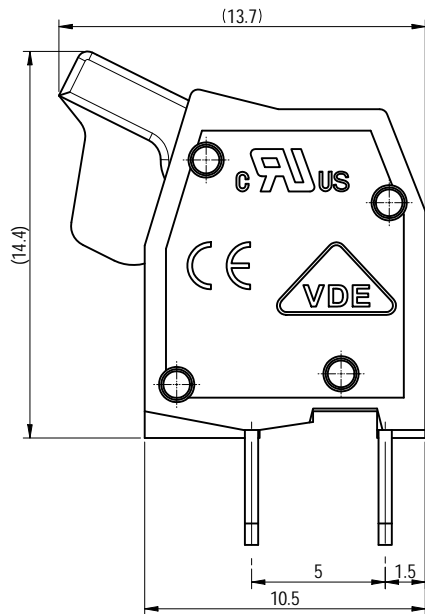
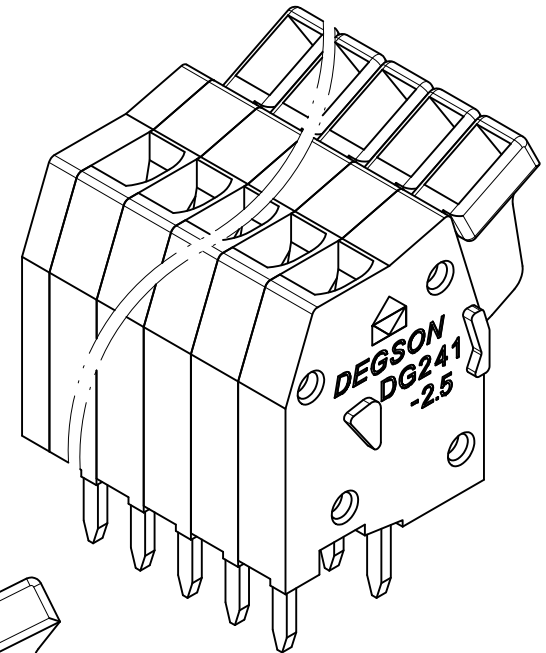


PCB LAYOUT



公差/General tolerances(mm)											0.1/10			
0	>3	>6	>10	>18	>30	>50	>80	>120	>180	>250	>315	>400	D	
~	~	~	~	~	~	~	~	~	~	~	~	>500		
3	6	10	18	30	50	80	120	180	250	315	400	500	Z	
±0.12	±0.18	±0.22	±0.26	±0.31	±0.37	±0.57	±0.80	±0.93	±1.05	±1.15	±1.60	±2.20	±2.50	±2'



Note:
The A&Z(H) in the name means: A(H) and Z(H).

ITEM	NAME OF PART	MATERIAL	NOTES
5	Pin Header	Copper Alloy	Sn Plated
4	Cover	PA66	UL94V-0
3	Spring	Stainless Steel	/
2	Housing	PA66	UL94V-0
1	Button	POM	UL94HB

UL 标准/UL Standard:	B	C	D
额定电压/电流/Rated Voltage(V)/Current(A)	150/5	/	/
IEC 标准/IEC Standard:			
过压类别/Overvoltage Category/污染等级/Pollution Degree	III/3	III/2	II/2
额定电压/电流/Rated Voltage(V)/Current(A)	63/6	160/6	320/6
额定脉冲电压(kV)/Rate Impulse Voltage(kV)	2.5	2.5	2.5
线径范围(硬线和软线)/Wire Range(rigid and flexible)(AWG/mm²)	28~20/0.2~0.5		
间距/Pitch(mm)/线数范围/Poles	2.5/N=01~27P		
剥线长度/Stripping length(mm)	5~6		
使用温度范围/Operating temperature(°C)	-40~+105		
符合RoHS环保要求/Conform to RoHS	Yes		



MATERIAL: /	SURFACE/COLOR: /
MAT NO./REV: - / 00	MAT STATUS: 批量

APPD: 兰泰华	2023.02.07	NAME	DG241-2.5-XXP-1Y-00A&Z(H)		
CHKD: 陈超	2023.02.07	DRAWING NO.	200025614	TYPE	CUSTOMER DRAWING
DRFT: 黎学龙	2023.02.06	DRAWING STATUS	已发布	SCALE	5:1
REV	ECN	DESCRIPTION	DATE	SHEET	1/1

00			黎学龙	2023.02.06
REV	ECN	DESCRIPTION	DATE	

Transfer or duplication of this document as well as the utilization of its contents in any form without the written permission of DEGSON is prohibited. All rights reserved for patent. 本文件及其中所载之内容之复制或在本文件所载内容之基础上进行任何形式之复制或在本文件所载内容之基础上进行任何形式之制造或销售均须经 DEGSON 书面许可。否则，即属侵权行为。DEGSON 保留一切权利。如有侵权，DEGSON 将依法追究法律责任。