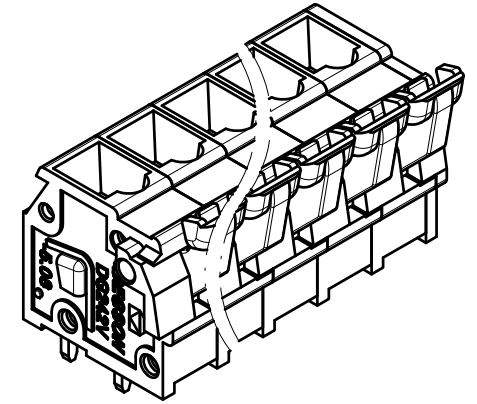
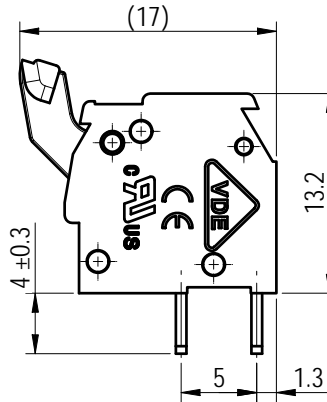
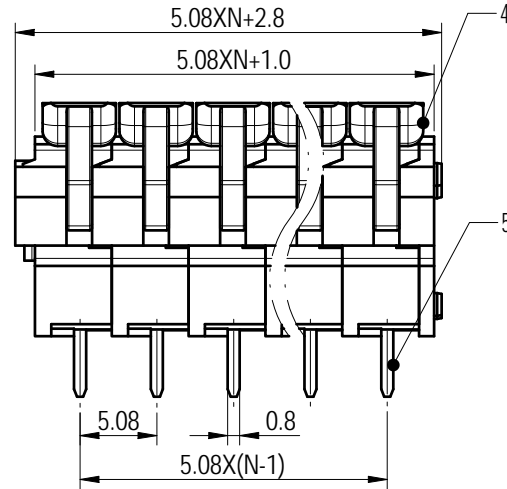
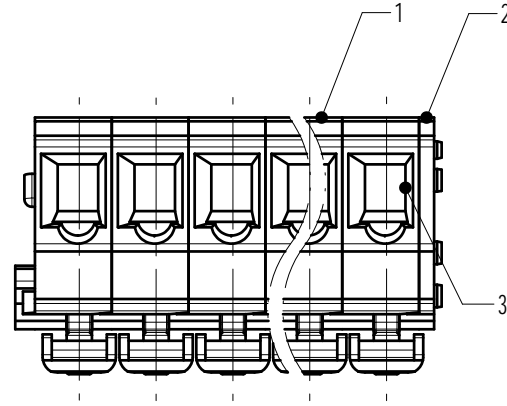
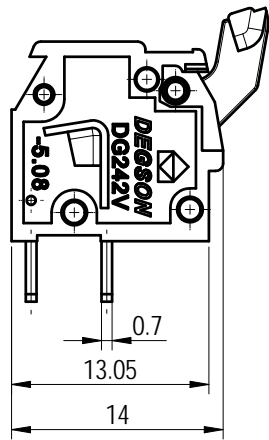
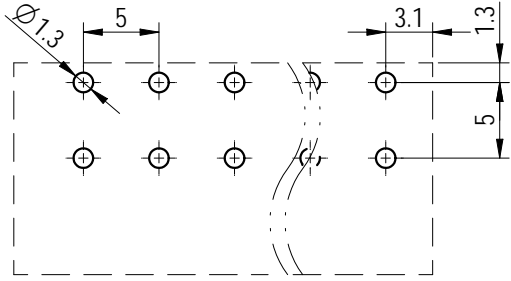


PCB LAYOUT



未注公差/General tolerances (mm)

0	>3	>6	>10	>18	>30	>50	>80	>120	>180	>250	>315	>400	>500	0.1/10 ±2'
~3	~6	~10	~18	~30	~50	~80	~120	~180	~250	~315	~400	~500	~500	
±0.12	±0.18	±0.22	±0.26	±0.31	±0.37	±0.57	±0.80	±0.93	±1.05	±1.15	±1.60	±2.20	±2.50	

UL 标准/UL Standard:	B	C	D
额定电压/电流/Rated Voltage(V)/Current(A)	300/15	/	300/10
IEC 标准/IEC Standard:			
过压类别/Overvoltage Category/污染等级/Pollution Degree	III/3	III/2	II/2
额定电压/电流/Rated Voltage(V)/Current(A)	/	450/17	/
工频耐压/Withstanding Voltage(V/1Min)	/	AC2500	/
线径范围(硬线和软线)/Wire Range(rigid and flexible)(AWG/mm <sup>2</sup> )	28~12/ 0.2~2.5		
间距/Pitch(mm)/线数范围/Poles	5.08/N=01~32P		
剥线长度/Stripping length(mm)	5~6		
使用温度范围/Operating temperature(°C)	-40~+105		
符合RoHS环保要求/Conform to RoHS	Yes		

Note:  
The A&Z(H) in the name means :A(H) and Z(H).

5	Pin Header	Copper alloy	Sn Plated
4	Button	POM	UL94HB
3	Spring	Stainless steel	/
2	Cover	PA66	UL94V-0
1	Housing	PA66	UL94V-0
ITEM	NAME OF PART	MATERIAL	NOTES



MATERIAL: /	SURFACE/COLOR: /
MAT NO./REV: - / 00	MAT STATUS: 批量

APPD: 兰春华	2022.10.13	NAME	DG242V-5.08-XXP-1Y-00A&Z(H)		
CHKD: 陈招	2022.10.13	DRFT: 岑凯	DRAWING NO.	TYPE	DRAWING STATUS
			200027264	CUSTOMER DRAWING	已发布

00	ECN	DESCRIPTION	岑凯	2022.10.13	SCALE	SHEET
REV	ECN	DESCRIPTION	DRFT	DATE	2:1	1/1

Transfer or duplication of this document as well as the utilization or communication of its contents are prohibited unless authorized in writing. All rights reserved for patent. 除专利申明授权外, 否则禁止转让、复制、引用、发布等任何形式的数据, 一经发现, 立即追究法律责任。 岑凯 2022.10.13