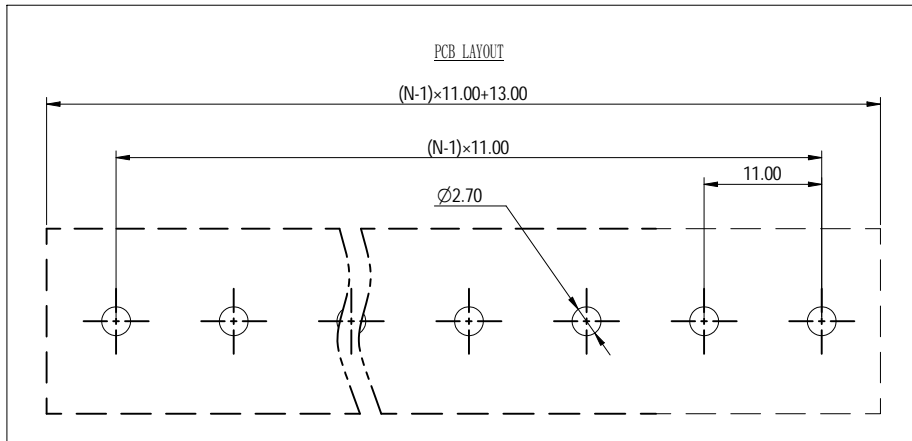
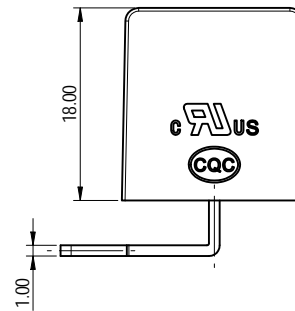
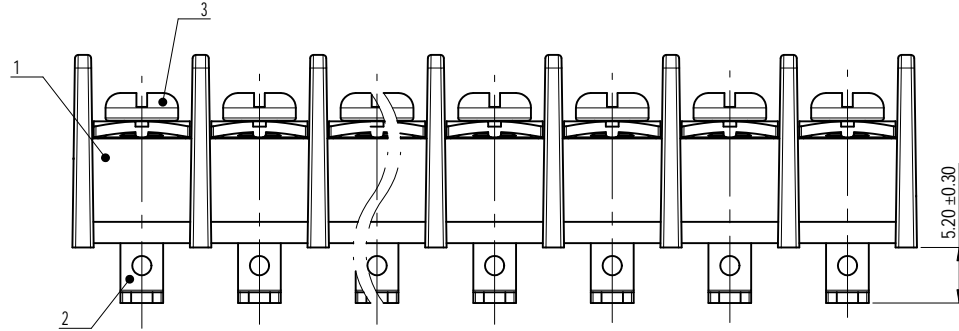
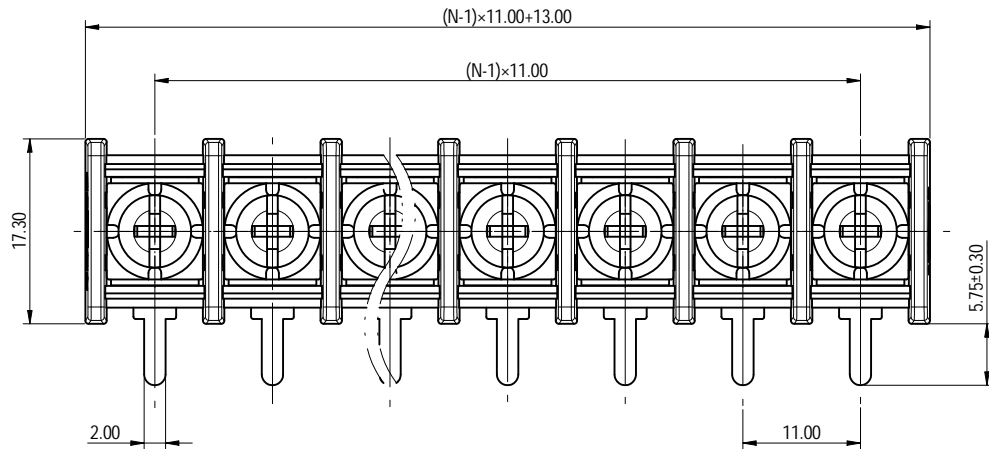


公差/General tolerances (mm)											D			
0	>3	>6	>10	>18	>30	>50	>80	>120	>180	>250	>315	>400	>500	0.1/10
~	~	~	~	~	~	~	~	~	~	~	~	~	~	N
±0.12	±0.18	±0.22	±0.26	±0.31	±0.37	±0.57	±0.80	±0.93	±1.05	±1.15	±1.60	±2.20	±2.50	±2



Note: The A&Z(H) in the name means: A(H) and Z(H).

ITEM	NAME OF PART	MATERIAL	NOTES
3	Screw	Steel	Ni Plated
2	Pin header	Copper alloy	Sn Plated
1	Housing	PA66	UL94V-0
UL 标准/UL Standard:			
额定电压/电流/Rated Voltage(V)/Current(A)		B	C
300/30		/	/
螺丝扭矩/Torque Tightening(N·m/Lb.in)		M4: 1.2/10.53	
线径范围(硬线和软线)/Wire Range(rigid and flexible)(AWG)		22~10	
间距/Pitch(mm)/线数范围/Poles		11.00/N=02~22P	
剥线长度/Stripping length(mm)		11~13	
使用温度范围/Operating temperature(°C)		-40~+105	
符合RoHS环保要求/Conform to RoHS		Yes	

DEGSON		MATERIAL:	SURFACE/COLOR:		
APPD: 蓝美凡	2023.05.24	NAME:	数量		
CHKD: 曹利彬	2023.05.24	DG65R-B-XXP-1Y-00A&Z(H)			
DRFT: 姜民洁	2023.05.24	DRAWING NO.	TYPE	DRAWING STATUS	SCALE
REV	ECN	200196371	CUSTOMER DRAWING	已发布	1:1
00					SHEET
					1/1

REV	ECN	DESCRIPTION	DRFT	DATE
00				

Transfer or duplication of this document as well as the utilization or reproduction of its contents without the written permission of DEGSON is prohibited. All rights reserved for patent. 未经授权复制或传播本文件以及未经许可使用或复制其内容均被禁止。所有权利保留。如有侵权，本公司将依法追究法律责任。