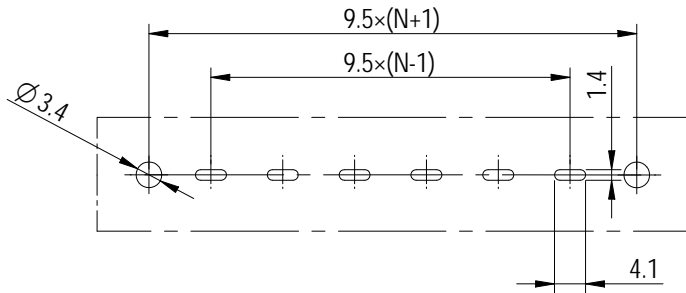
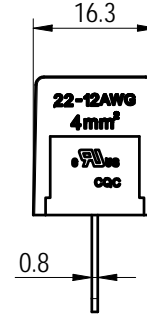
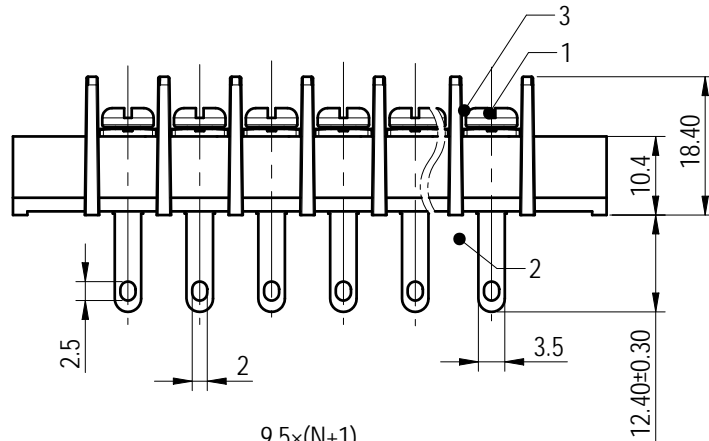
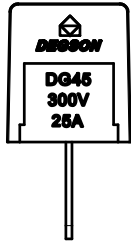
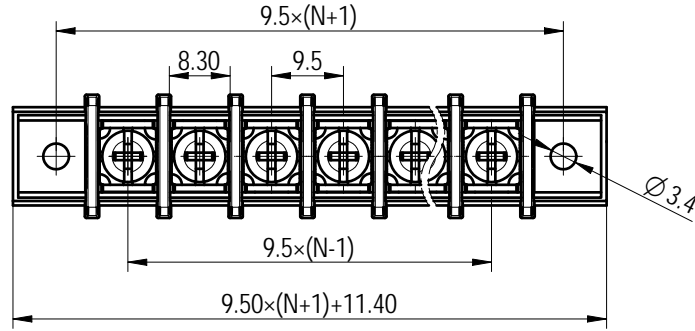


未注公差/General tolerances (mm)													0.1/10 ±2'
0	>3	>6	>10	>18	>30	>50	>80	>120	>180	>250	>315	>400	
~3	~6	~10	~18	~30	~50	~80	~120	~180	~250	~315	~400	~500	>500
±0.12	±0.18	±0.22	±0.26	±0.31	±0.37	±0.57	±0.80	±0.93	±1.05	±1.15	±1.60	±2.20	±2.50



Note: The A&Z (H) in the name means: A(H) and Z(H).

ITEM	NAME OF PART	MATERIAL	NOTES
3	Screw	Steel	Ni Plated
2	Pin header	Copper alloy	Sn Plated
1	Housing	PA66	UL94V-0
UL 标准/UL Standard:			B C D
额定电压/电流/Rated Voltage(V)/Current(A)			300/25 / 300/10
螺丝扭矩/Torque Tightening(N·m/Lb.in)			M4, 1.20/10.62
线径范围(硬线和软线)/Wire Range(rigid and flexible)(AWG)			22~12
间距/Pitch(mm)/线数范围/Poles			9.50/N=02~24P
使用温度范围/Operating temperature(°C)			-40~+105
符合RoHS环保要求/Conform to RoHS			Yes

<b>DEGSION</b>		MATERIAL:	SURFACE/COLOR:		
APPD: 蓝贵凡 2023.07.07		MAT NO./REV:	/ 00 MAT STATUS: 批量		
CHKD: 曹利彬 2023.07.07		NAME			
DRFT: 孙科豪 2023.07.07		DG45H-B-XXP-1Y-00A&Z(H)			
DRAWING NO. 200196421		TYPE	DRAWING STATUS	SCALE	SHEET
A4		CUSTOMER DRAWING	已发布	2:1	1/1

REV	ECN	DESCRIPTION	DRFT	DATE
00				

Transfer or duplication of this document as well as the utilization or communication of its contents are prohibited unless authorized in writing by the copyright holder. All rights reserved for patent. 除专利权人明确授权外，否则禁止转让、复制或传播。未经授权，不得复制或传播。本公司保留对涉及发明、实用新型及外观设计专利权的权利。