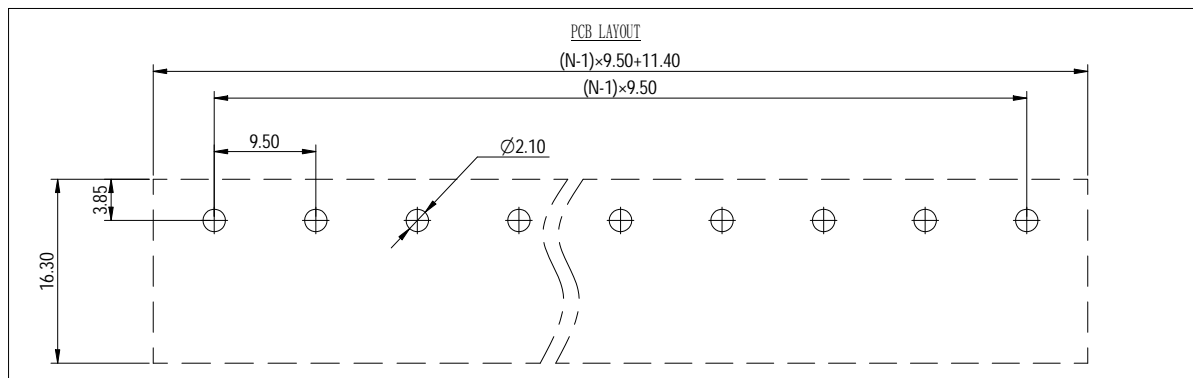
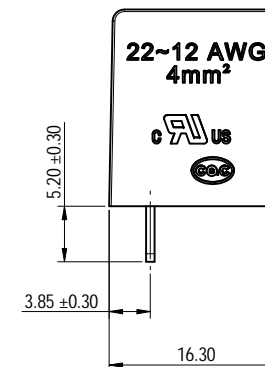
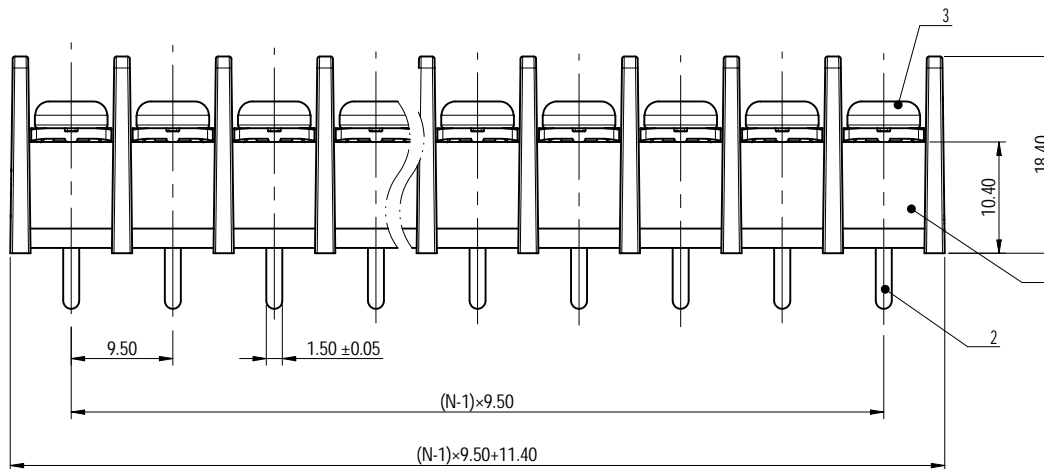
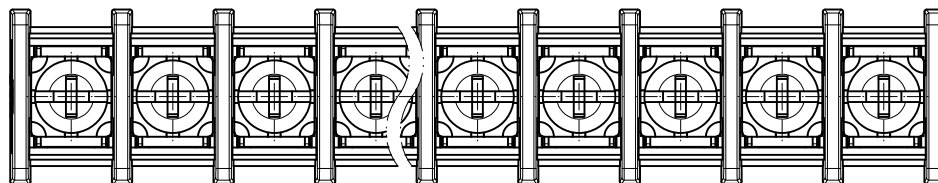


未注公差/General tolerances (mm)											D 0.1/10		
0	>3	>6	>10	>18	>30	>50	>80	>120	>180	>250		>315	>400
~ 3	~ 6	~ 10	~ 18	~ 30	~ 50	~ 80	~ 120	~ 180	~ 250	~ 315	~ 400	~ 500	~ 2
±0.12	±0.18	±0.22	±0.26	±0.31	±0.37	±0.57	±0.80	±0.93	±1.05	±1.15	±1.60	±2.20	±2.50



Note: The A&Z (H) in the name means:A(H)and Z(H).

ITEM	NAME OF PART	MATERIAL	NOTES	
3	Screw	Steel	Ni Plated	
2	Pin header	Copper alloy	Sn Plated	
1	Housing	PA66	UL94V-0	
UL 标准/UL Standard:		B	C	D
额定电压/电流/Rated Voltage(V)/Current(A)		300/25	/	300/10
螺丝扭矩/Torque Tightening(N·m/Lb.in)		M4: 1.2/10.62		
线径范围(硬线和软线)/Wire Range(rigid and flexible)(AWG)		22~12		
间距/Pitch(mm)/线数范围/Poles		9.50/N=02~24P		
使用温度范围/Operating temperature(°C)		-40~+105		
符合RoHS环保要求/Conform to RoHS		Yes		

<b>DEGSON</b>		MATERIAL:		SURFACE/COLOR:	
APPD: 蓝美凡	2024.04.01	NAME:	MAT NO./REV: -	/ 00	MAT STATUS: 批量
CHKD: 曹利影	2024.04.01	DG45S-B-XXP-1Y-00A&Z(H)			
DRFT: 姜民浩	2024.04.01	DRAWING NO.	TYPE	DRAWING STATUS	SCALE
A3		200241762	CUSTOMER DRAWING	已发布	2:1
00	ECN	DESCRIPTION	委民浩	2024.04.01	
REV	ECN	DESCRIPTION	DRFT	DATE	

Transfer or duplication of this document as well as the utilization of its contents in any form without the written permission of DEGSON is prohibited. All rights reserved for patent.