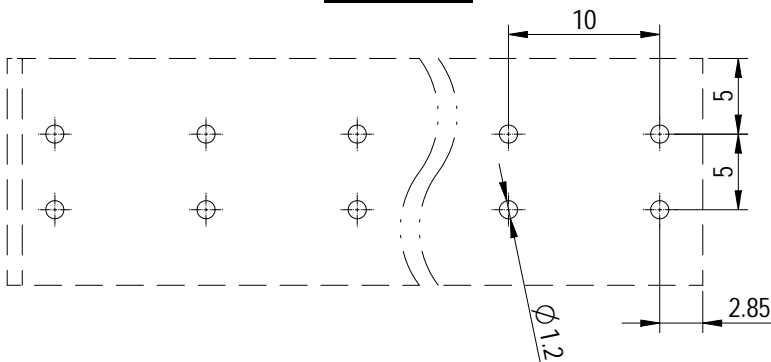
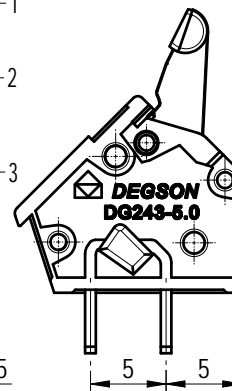
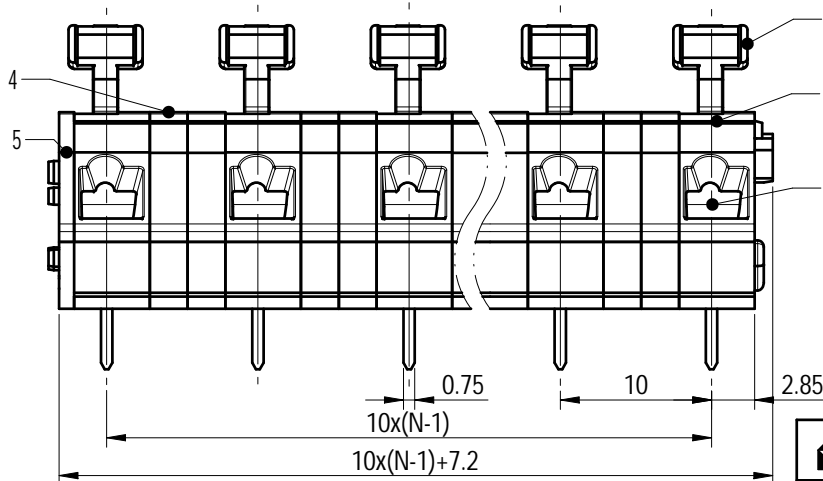
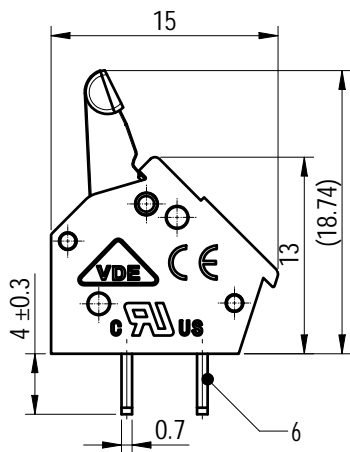
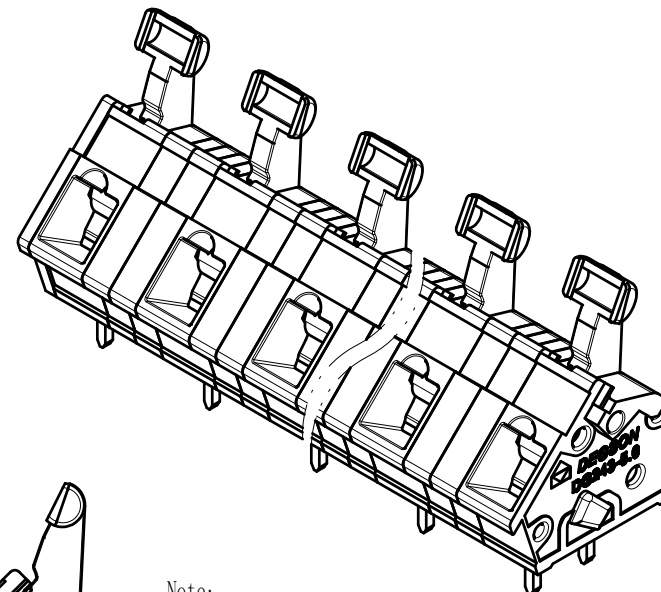
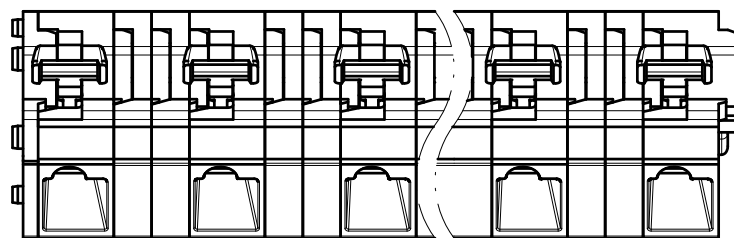


PCB LAYOUT



未注公差/General tolerances (mm)											0.1/10		
0	>3	>6	>10	>18	>30	>50	>80	>120	>180	>250		>315	>400
~3	~6	~10	~18	~30	~50	~80	~120	~180	~250	~315	~400	~500	>500
±0.12	±0.18	±0.22	±0.26	±0.31	±0.37	±0.57	±0.80	±0.93	±1.05	±1.15	±1.60	±2.20	±2.50

UL 标准/UL Standard:	B	C	D
额定电压/电流/Rated Voltage(V)/Current(A)	300/15	/	300/10
IEC 标准/IEC Standard:			
过压类别/Overvoltage Category/污染等级/Pollution Degree	III/3	III/2	II/2
额定电压/电流/Rated Voltage(V)/Current(A)	/	1000/17	/
工频耐压/Withstanding Voltage (V/Min)	AC3500		
线径范围(硬线和软线)/Wire Range(rigid and flexible)(AWG/mm <sup>2</sup> )	28~12/ 0.2~2.5		
间距/Pitch(mm)/线数范围/Poles	10/N=02~11P		
剥线长度/Stripping length(mm)	5~6		
使用温度范围/Operating temperature(°C)	-40~+105		
符合RoHS环保要求/Conform to RoHS	Yes		



Note:  
The A&Z(H) in the name means: A(H) and Z(H).

ITEM	NAME OF PART	MATERIAL	NOTES
6	Pin Header	Copper Alloy	Sn Plated
5	Cover	PA66	UL94V-0
4	Clapboard	PA66	UL94V-0
3	Spring	Stainless Steel	/
2	Housing	PA66	UL94V-0
1	Button	POM	UL94HB

<b>DEGSON</b>		MATERIAL: /	SURFACE/COLOR: /	
APPD: 兰春华	2023.02.09	MAT NO./REV: -	/ 00	
CHKD: 陈招	2023.02.09	NAME		
DRFT: 柳学龙	2023.02.09	DG243-10.0-XXP-1Y-00A&Z(H)		
REV	ECN	DESCRIPTION	DRAWING NO.	TYPE
00		柳学龙	200025623	CUSTOMER DRAWING
REV	ECN	DESCRIPTION	DRAWING STATUS	SCALE
			已发布	2:1
DRFT	DATE		SHEET	
			1/1	

Transfer or duplication of this document as well as the utilization or communication of its content are prohibited unless authorized in writing by the copyright holder. All rights reserved for patent. 未经授权，禁止复制或传播本文件内容。未经书面授权，不得复制或传播本文件内容。保留所有权利，侵权必究。