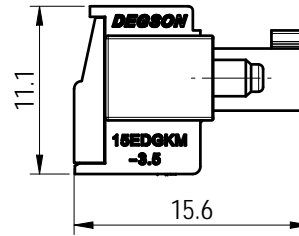
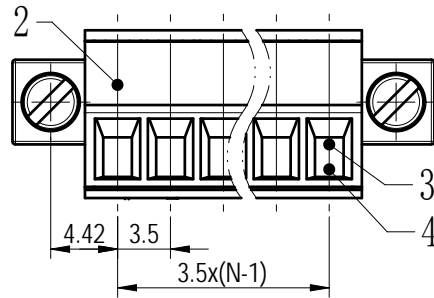
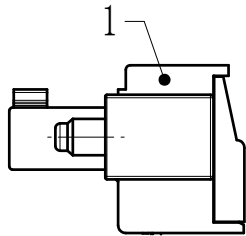
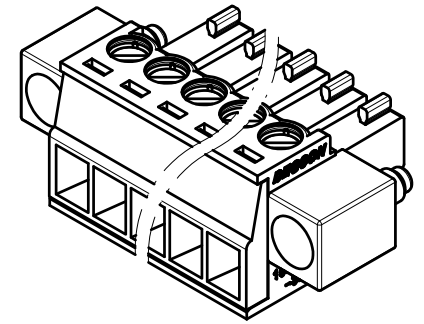
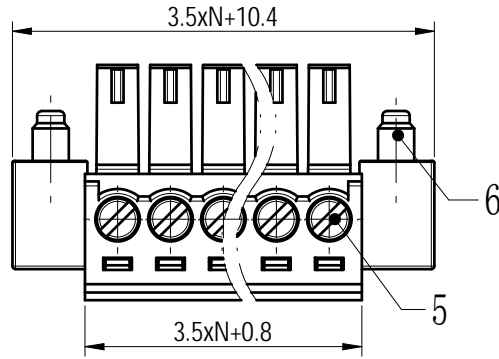
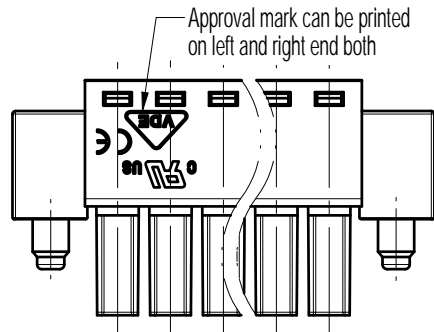


未注公差/General tolerances (mm)													0.1/10
0	>3	>6	>10	>18	>30	>50	>80	>120	>180	>250	>315	>400	
~3	~6	~10	~18	~30	~50	~80	~120	~180	~250	~315	~400	~500	>500
±0.12	±0.18	±0.22	±0.26	±0.31	±0.37	±0.57	±0.80	±0.93	±1.05	±1.15	±1.60	±2.20	±2.50



Note:
The A&Z(H) in the name means: A(H) and Z(H).

ITEM	NAME OF PART	MATERIAL	NOTES
6	Screw 2	Steel	M2.5/Zn Plated
5	Screw 1	Steel	M2/Zn Plated
4	Cage	Copper alloy	M2/Ni Plated
3	Clamp	Copper alloy	Sn Plated
2	Cover	PA66	UL94V-0
1	Housing	PA66	UL94V-0



UL 标准/UL Standard:	B	C	D
额定电压/电流/Rated Voltage(V)/Current(A)	300/8	/	300/8
IEC 标准/IEC Standard:			
过压类别/Overvoltage Category/污染等级/Pollution Degree	III/3	III/2	II/2
额定电压/电流/Rated Voltage(V)/Current(A)	/	/	250/7
额定脉冲电压(KV)/Rate Impulse Voltage(KV)	/	/	2.5
螺丝扭矩/Torque Tightening(N·m/Lb.in)	M2: 0.2/1.77		
线径范围(硬线和软线)/Wire Range(rigid and flexible)(AWG/mm²)	28~16 / 0.5~1.5		
间距/Pitch(mm)/线数范围/Poles	3.5/N=02~24P		
剥线长度/Stripping length(mm)	6~7		
使用温度范围/Operating temperature(°C)	-40~+105		
符合RoHS环保要求/Conform to RoHS	Yes		

DEGSON

APPD: 兰春华 2022.08.18
CHKD: 龚耀志 2022.08.18
DRFT: 朱岳鹏 2022.08.18

MATERIAL:	SURFACE/COLOR:	
MAT NO./REV: - / 00	MAT STATUS: 批量	
NAME 15EDGKM-3.5-XXP-1Y-00A&Z(H)		
DRAWING NO. 200103729	TYPE CUSTOMER DRAWING	DRAWING STATUS 已发布
SCALE 2:1	SHEET 1/1	

REV	ECN	DESCRIPTION	DRFT	DATE
00			朱岳鹏	2022.08.18

Transfer or duplication of this document as well as the utilization or communication of its contents are prohibited unless approval is granted. Violations will be held for compensation. All rights reserved for patent, utility model or design registrations. 除专利、实用新型、外观设计、软件著作权等权利外，其他权利均归本公司所有。未经许可，不得复制或传播。 除专利、实用新型、外观设计、软件著作权等权利外，其他权利均归本公司所有。