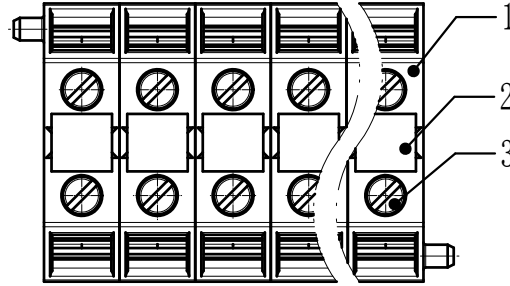
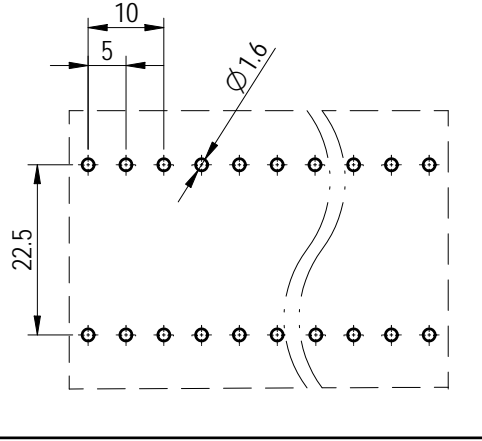
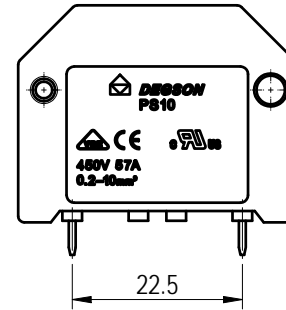
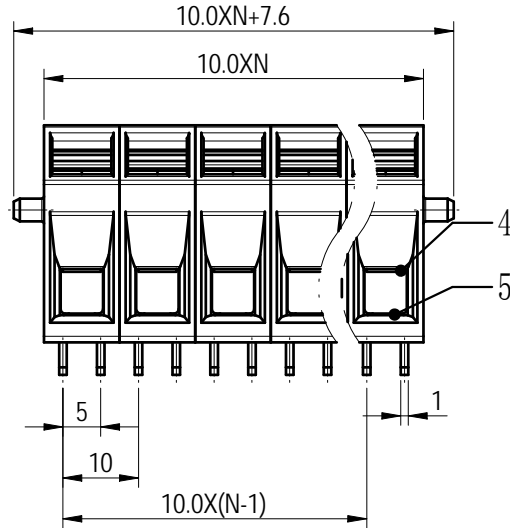
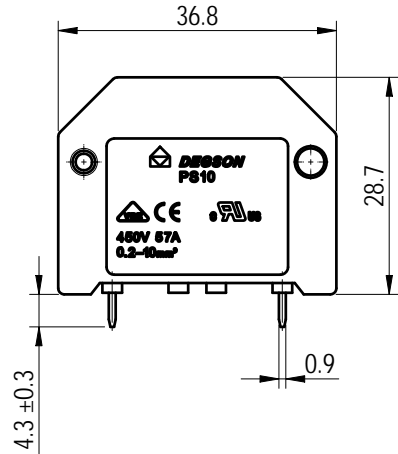
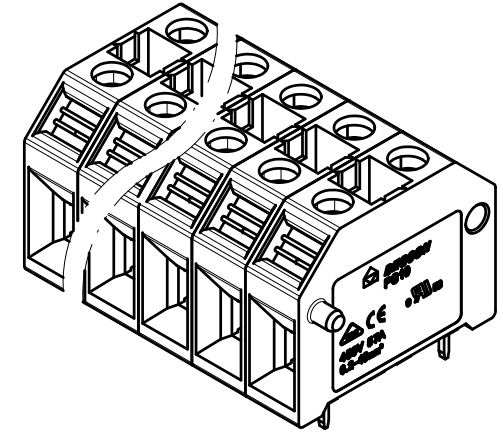


PCB LAYOUT



公差/General tolerances (mm)													0.1/10
0	>3	>6	>10	>18	>30	>50	>80	>120	>180	>250	>315	>400	
±0.12	±0.18	±0.22	±0.26	±0.31	±0.37	±0.57	±0.80	±0.93	±1.05	±1.15	±1.60	±2.20	±2.50



Note:
The A&Z (H) in the name means: A (H) and Z (H).

ITEM	NAME OF PART	MATERIAL	NOTES
5	Cage	Copper	Sn plated
4	Pressing line plate	Copper alloy	Ni plated
3	Screw	Copper alloy	M4/Ni plated
2	Current cattieer	Copper alloy	M4/Ni plated
1	Housing	PA66	UL94V-0

UL 标准/UL Standard:	B	C	D
额定电压/电流/Rated Voltage(V)/Current(A)	300/70	300/70	600/5
IEC 标准/IEC Standard:			
过压类别/Overvoltage Category/污染等级/Pollution Degree	III/3	III/2	II/2
额定电压/电流/Rated Voltage(V)/Current(A)	/	450/57	/
工频耐压/Withstanding voltage(V/1Min)	AC2500		
螺丝扭矩/Torque Tightening(N·m/Lb.in)	M4, 1.2/10.62		
线径范围(硬线和软线)/Wire Range(rigid and flexible)(AWG/mm²)	24~6 / 0.2~10		
间距/Pitch(mm)/线数范围/Poles	10/N=01~12P		
剥线长度/Stripping length(mm)	13~14		
使用温度范围/Operating temperature(°C)	-40~+105		



MATERIAL:	SURFACE/COLOR:
MAT NO./REV: / 00	MAT STATUS: 批量

APPD: 兰春华 2022.10.19	NAME
CHKD: 陈招 2022.10.19	PS10-XXP-1Y-00A&Z (H)

REV	ECN	DESCRIPTION	DRFT	DATE	比例	图框	比例	DRAWING NO.	TYPE	DRAWING STATUS	SCALE	SHEET
00			龚徐涛	2022.10.19	A4	(inch)		200029013	CUSTOMER DRAWING	已发布	1:1	1/1

Transfer or duplication of this document as well as the utilization or communication of its contents are prohibited unless express and written authorization is granted. Violations will be held for compensation. All rights reserved for patent, utility model or design registrations. 除专利权明确授权外, 否则禁止转让、复制、引用、发布本文件的内容。未经授权的复制或传播, 一经发现, 公司将依法追究。保留所有权利, 侵权必究。