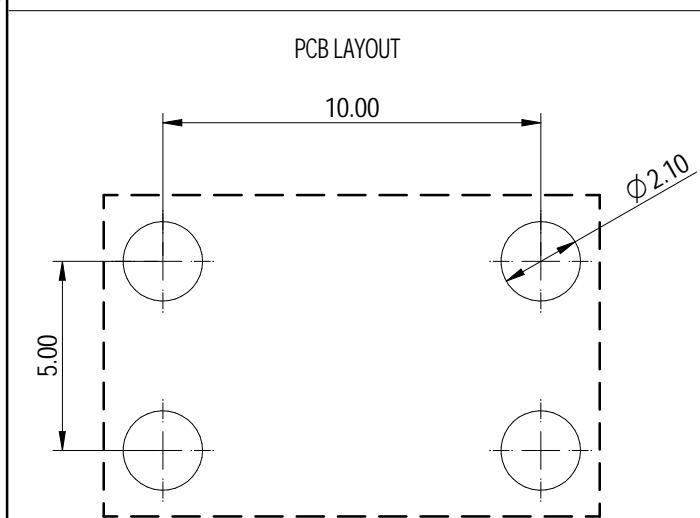
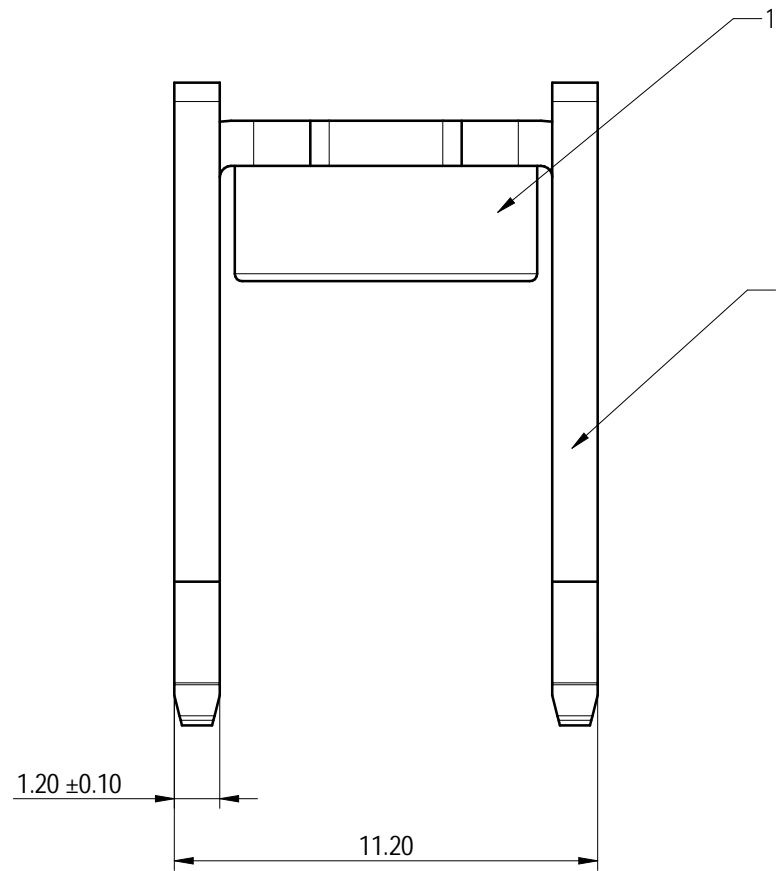
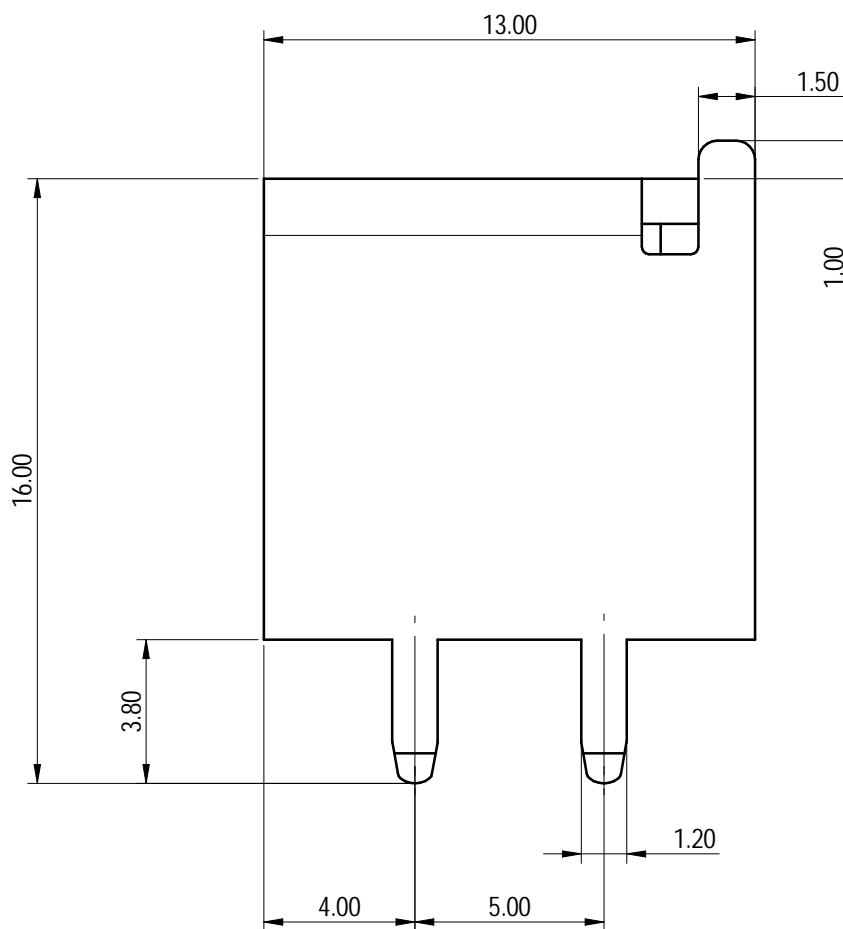
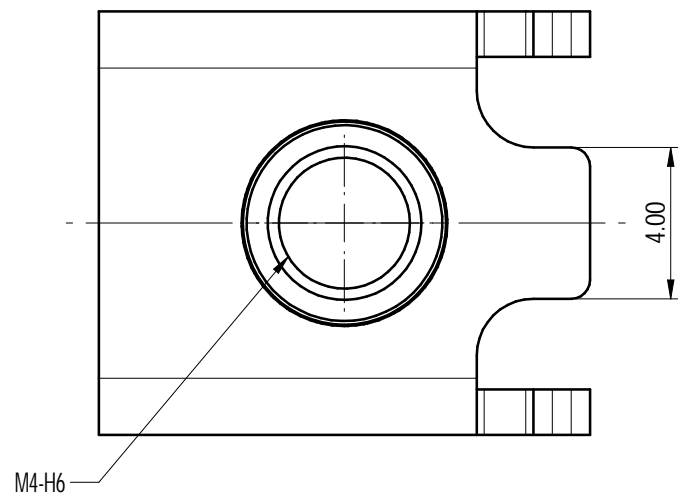


未注公差/General tolerances (mm)														
0	>3	>6	>10	>18	>30	>50	>80	>120	>180	>250	>315	>400	0.1/10 ±2°	
~3	~6	~10	~18	~30	~50	~80	~120	~180	~250	~315	~400	>500		
±0.12	±0.18	±0.22	±0.26	±0.31	±0.37	±0.57	±0.80	±0.93	±1.05	±1.15	±1.60	±2.20	±2.50	
额定电流/Rated Current (A)												50A		
螺丝扭矩/Tightening torque (N·m/Lb.in)												M4, 2.4/21.26		
符合RoHS环保要求/Conform to RoHS												Yes		



Note: The A&Z (H) in the name means: A(H) and Z(H).

2	Pin header	Copper	Sn Plated
1	Nut	Steel	M4/Zn Plated
ITEM	NAME OF PART	MATERIAL	NOTES

DEGSON		MATERIAL: /	SURFACE/COLOR: /	
APPD: 蓝贵凡 2023.05.08		MAT NO./REV: 10900000073-1 / 00		
CHKD: 曹利彬 2023.05.08		MAT STATUS: 批量		
DRFT: 汪德荣 2023.05.08		NAME: K50-02A&Z (H)		
00	/	/	汪德荣	2023.05.08
REV	ECN	DESCRIPTION	DRFT	DATE
			汪德荣	2023.05.08
DRAWING NO. 200190735		TYPE: CUSTOMER DRAWING	DRAWING STATUS: 已发布	SCALE: 5:1
SHEET 1/1				

Transfer or duplication of this document as well as the utilization or communication of its contents are prohibited unless explicit authorization is granted. Violations will be liable for compensation. All rights reserved for patent, utility model or design registrations. 除经本公司书面许可外, 未经许可, 不得复制或传播本文件内容, 否则将依法追究法律责任。本公司保留所有权利。