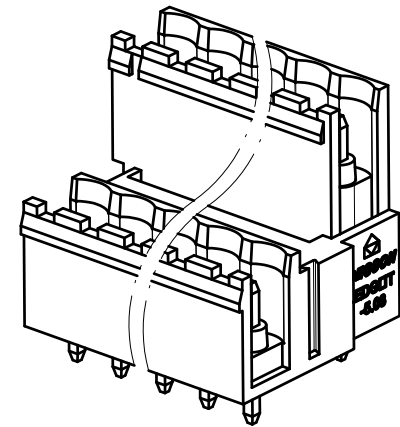
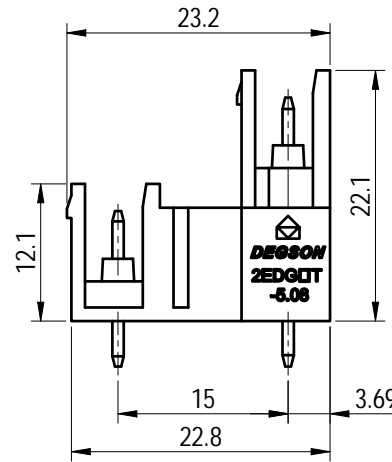
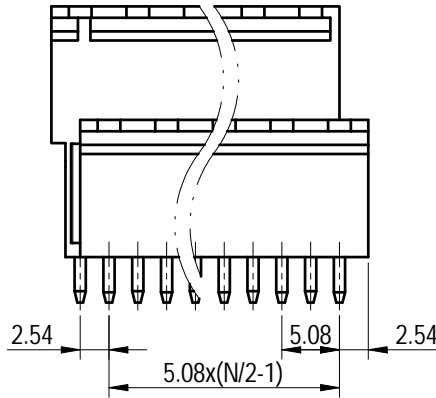
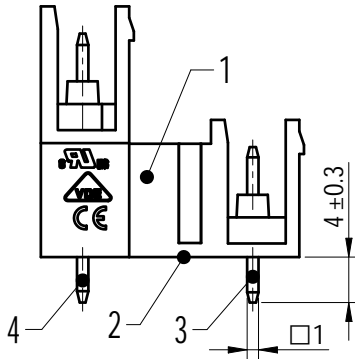
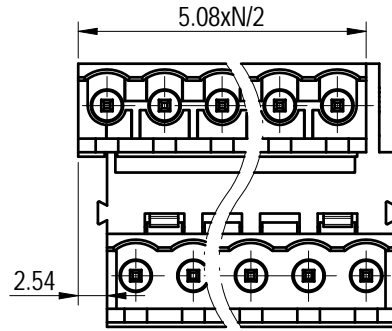
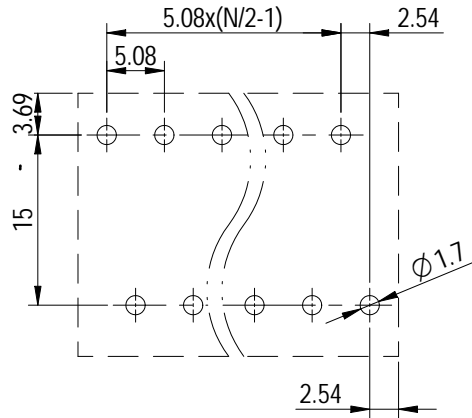


PCB LAYOUT



未注公差/General tolerances (mm)												0.1/10		
0	>3	>6	>10	>18	>30	>50	>80	>120	>180	>250	>315		>400	>500
±0.12	±0.18	±0.22	±0.26	±0.31	±0.37	±0.57	±0.80	±0.93	±1.05	±1.15	±1.60	±2.20	±2.50	±2'

UL 标准/UL Standard:	B	C	D
额定电压/电流/Rated Voltage(V)/Current(A)	300/15	/	300/10
IEC 标准/IEC Standard:			
过压类别/Overvoltage Category/污染等级/Pollution Degree	III/3	III/2	II/2
额定电压/电流/Rated Voltage(V)/Current(A)	/	320/10	/
额定脉冲电压(KV)/Rate Impulse Voltage(KV)	/	4	/
间距/Pitch(mm)/线数范围/Poles	5.08/N=04~48P		
使用温度范围/Operating temperature(°C)	-40~+105		
符合RoHS环保要求/Conform to RoHS	Yes		

Note:
The A&Z(H) in the name means: A(H) and Z(H).

ITEM	NAME OF PART	MATERIAL	NOTES
4	Pin 2	Copper	Sn Plated
3	Pin 1	Copper	Sn Plated
2	Cover	PA66	UL94V-0
1	Housing	PA66	UL94V-0

		MATERIAL:		SURFACE/COLOR:	
		MAT NO./REV: - / 00		MAT STATUS: 批量	
APPD: 兰春华	2023.03.07	NAME			
CHKD: 龚耀志	2023.03.07	2EDGVT-5.08-XXP-1Y-00A&Z(H)			
DRFT: 朱岳鹏	2023.03.06	DRAWING NO.	TYPE	DRAWING STATUS	SCALE
		200020289	CUSTOMER DRAWING	已发布	1.5:1
				SHEET	1/1

REV	ECN	DESCRIPTION	DRFT	DATE
00			朱岳鹏	2023.03.06

Transfer or duplication of this document as well as the utilization or communication of its contents are prohibited unless authorized in writing by DEGSON. All rights reserved for patent. 除专利申明授权外，复制、印刷、分发本文件均受法律保护。未经授权，不得复制或传播本文件内容。本公司保留对涉及发明、实用新型及外观设计的所有权利。