

客户图
Drawings for customers

未注公差参照/General tolerances according to(mm): ISO2768-1 C

>0.5~3	>3~6	>6~30	>30~120	>120~400	>400~1000	>1000~2000	>2000~4000
±0.2	±0.3	±0.5	±0.8	±1.2	±2	±3	±4

名称
Name

3芯630-插座总成CodeA
3PIN630-Header Assy-CodeA

3芯630-插座总成CodeB
3PIN630-Header Assy-CodeB

3芯630-插座总成CodeC
3PIN630-Header Assy-CodeC

3芯630-插座总成CodeD
3PIN630-Header Assy-CodeD

3芯630-插座总成CodeE
3PIN630-Header Assy-CodeE

键位
Code

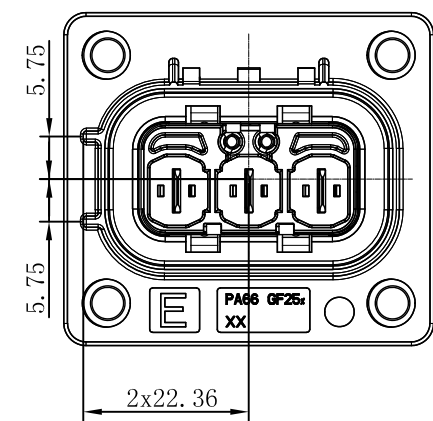
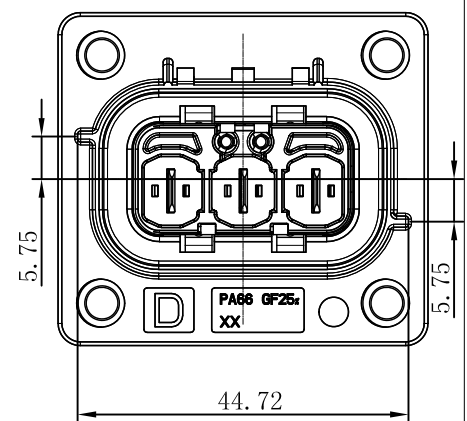
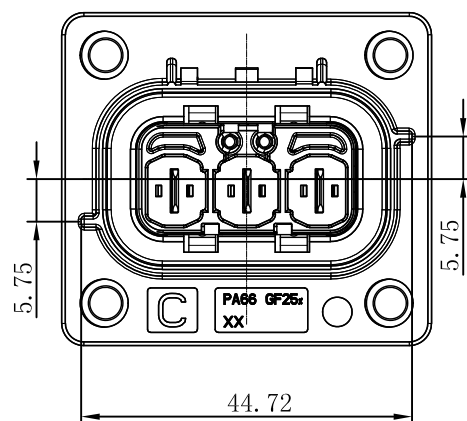
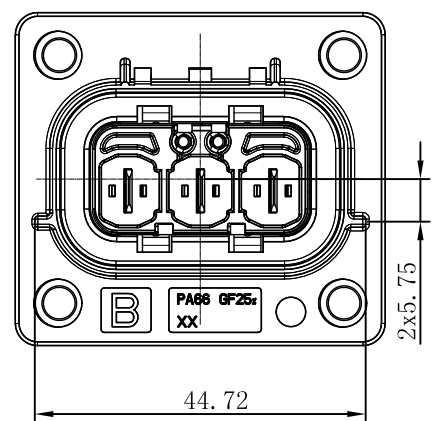
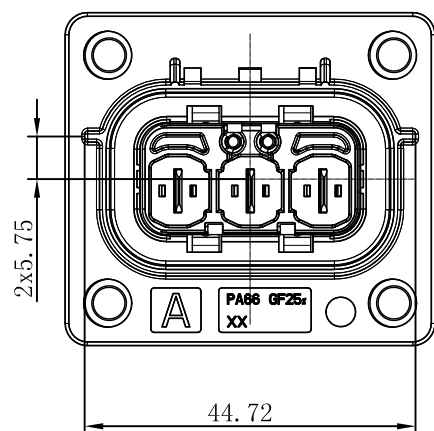
A

B

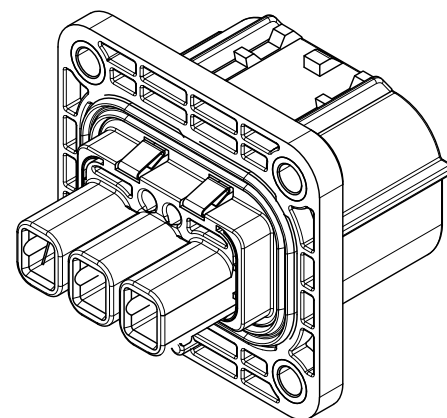
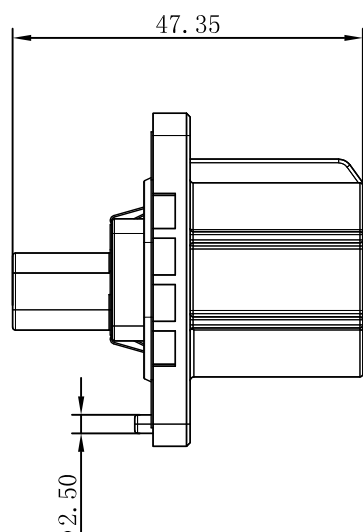
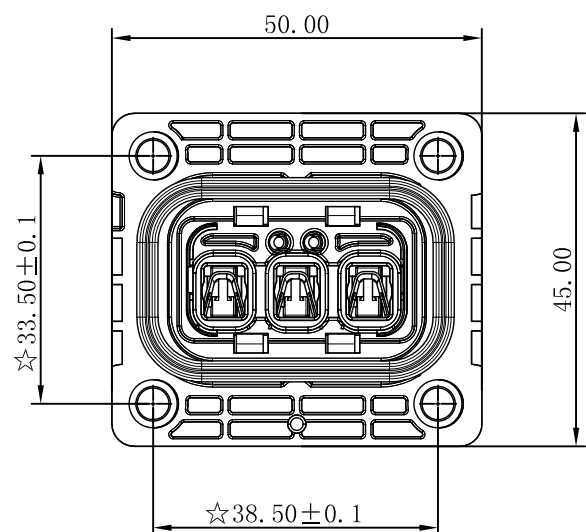
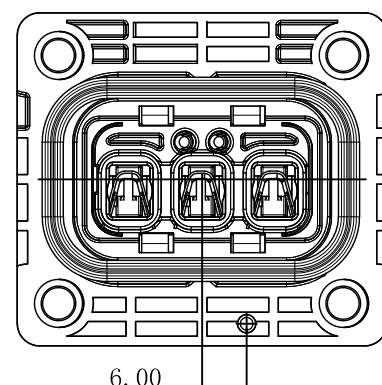
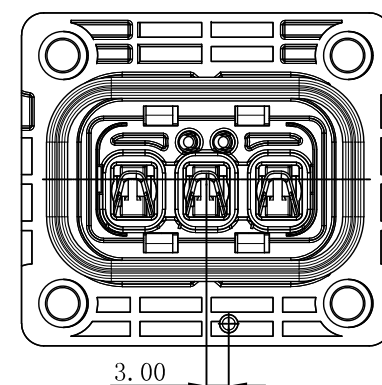
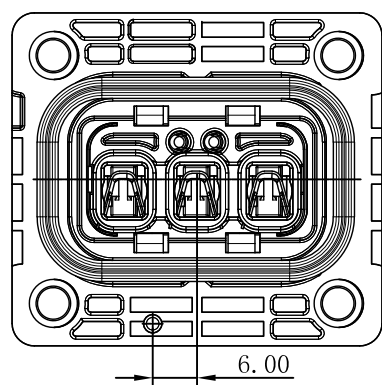
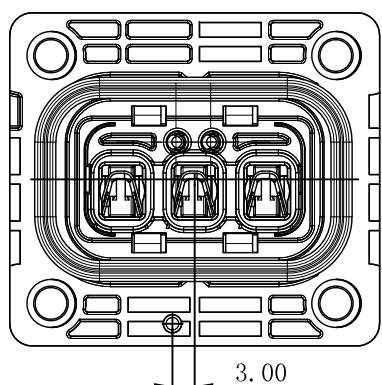
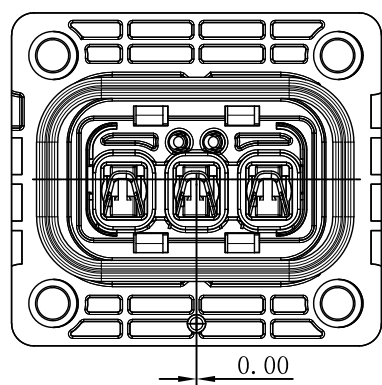
C

D

E



键位示意图
Different code view



产品图
product view

技术要求 Technical specification:

1、性能参数 Performance parameter:

- a、工作温度 Temperature Range: -40℃~125℃
- b、额定工作电压 Working Voltage: 1000V DC
- c、额定工作电流 Current Capability:
32A Max@4mm² 40A Max@6mm²
- d、工作海拔 Altitude: 5000M
- e、绝缘电阻 Insulation resistance: >200MΩ 1000V DC
- f、耐电压 Withstand voltage: <5mA lmin 3000V AC
- g、防护等级 Class of protection: IP68、IP6K9K、IPXXB

2、法律法规 Laws and regulations

- ★a、产品符合阻燃要求;
a、The product meets the flame retardant requirements
- ★b、环保要求: RoHS 2.0
b、Environmental protection requirement: RoHS 2.0

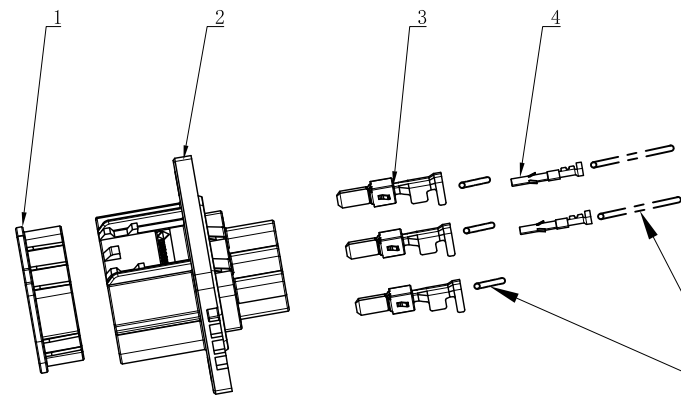
		材料/MATERIAL: /	表面效果/SURFACE: /
		料号/PN: 2604000022	样品状态/MAT STATUS: /
批准/APPD 梁东 2024-06-15	审核/CHKD 李京乐 2024-06-15	名称/NAME: 3芯630-插座总成 3PIN630-Header Assy	
制图/DRFT 陈自发 2024-06-15	版本/REV 00	类型/TYPE 客户图纸/Customer drawing	图纸状态/DRAWING STATUS / 比例/SCALE 1:1 页数/SHEET 1/2

00	/	图纸首发/First edition drawing	陈自发	2024-06-15
图纸版本	ECN	变更描述	设计人	设计日期
REV	ECN	DESCRIPTION	DRFT	DATE

Transfer or duplication of this document as well as the utilization or communication of its contents are prohibited unless explicit authorization is granted. Violations will be liable for compensation. All rights reserved for patent, utility model or design registrations. 除非经书面授权, 否则禁止转让、复制、引用、交流和文件内容。侵犯者将承担赔偿责任。本公司保留对涉及发明、实用新型或外观设计的所有权利。

客户图 Drawings for customers

DBYR-03E63-C06 26040000273	6mm ² 、CodeE、 Shielded connector	1	-	-	-	-	1	3	2	E		
DBYR-03D63-C06 26040000269	6mm ² 、CodeD、 Shielded connector	1	-	-	-	1	-	3	2	D		
DBYR-03C63-C06 26040000265	6mm ² 、CodeC、 Shielded connector	1	-	-	1	-	-	3	2	C		
DBYR-03B63-C06 26040000261	6mm ² 、CodeB、 Shielded connector	1	-	1	-	-	-	3	2	B		
DBYR-03A63-C06 26040000018	6mm ² 、CodeA、 Shielded connector	1	1	-	-	-	-	3	2	A		
DBYR-03E63-C04 26040000271	4mm ² 、CodeE、 Shielded connector	1	-	-	-	-	1	3	2	E		
DBYR-03D63-C04 26040000267	4mm ² 、CodeD、 Shielded connector	1	-	-	-	1	-	3	2	D		
DBYR-03C63-C04 26040000263	4mm ² 、CodeC、 Shielded connector	1	-	-	1	-	-	3	2	C		
DBYR-03B63-C04 26040000259	4mm ² 、CodeB、 Shielded connector	1	-	1	-	-	-	3	2	B		
DBYR-03A63-C04 26040000022	4mm ² 、CodeA、 Shielded connector	1	1	-	-	-	-	3	2	A		
型号/料号 Type /PN	物料描述 Product description	26040000314	26040000275	26040000279	26040000283	26040000287	26040000291	26040000313	26040000326	键位 Code	备注 Note	
		插座防尘盖 Header dust cover	CodeA	CodeB	CodeC	CodeD	CodeE	公端子 Male terminal	高压互锁端子 HVIL Terminal			
子零件BOM Component BOM		插座壳体总成 Header Housing Assy										
		No. 1	No. 2				No. 3	No. 4				



功率线缆、信号线缆（根据顾客需求进行定制）
Power cable、Signal cable (customized according to customer needs)

爆炸图比例 1:2
Exploded View scale 1:2

注意 Note:

- 1、每横排装配一套产品所需要的数量。可按最左列成品料号购买，也可单独按子零件料号购买子零件
- 1、Each row is the number required to assemble a set of products. It can be purchased by the finished part number in the leftmost column, or it can be purchased separately by the part number of the component.

00	/	图纸首发/First edition drawing	陈自发	2024-06-15
图纸版本	ECN	变更描述	设计人	设计日期
REV	ECN	DESCRIPTION	DRFT	DATE

			材料/MATERIAL: /	表面效果/SURFACE: /
			料号/PN: 26040000022	样品状态/MAT STATUS: /
批准/APPD 梁东 2024-06-15	名称/NAME: 3芯630-插座总成 3PIN630-Header Assy			
审核/CHKD 李京乐 2024-06-15	版本/REV 00	类型/TYPE 客户图纸/Customer drawing	图纸状态/DRAWING STATUS /	比例/SCALE 1:1
制图/DRFT 陈自发 2024-06-15			页码/SHEET 2/2	

Transfer or duplication of this document as well as the utilization or communication of its contents are prohibited unless explicit authorization is granted. Violations will be liable for compensation. All rights reserved for patent. utility model or design registrations. 除非经书面授权，否则禁止转让、复制、引用、交流本文件内容。未经授权擅自使用、复制或传播本文件内容，本公司保留追究法律责任。 未经授权擅自使用、复制或传播本文件内容，本公司保留追究法律责任。