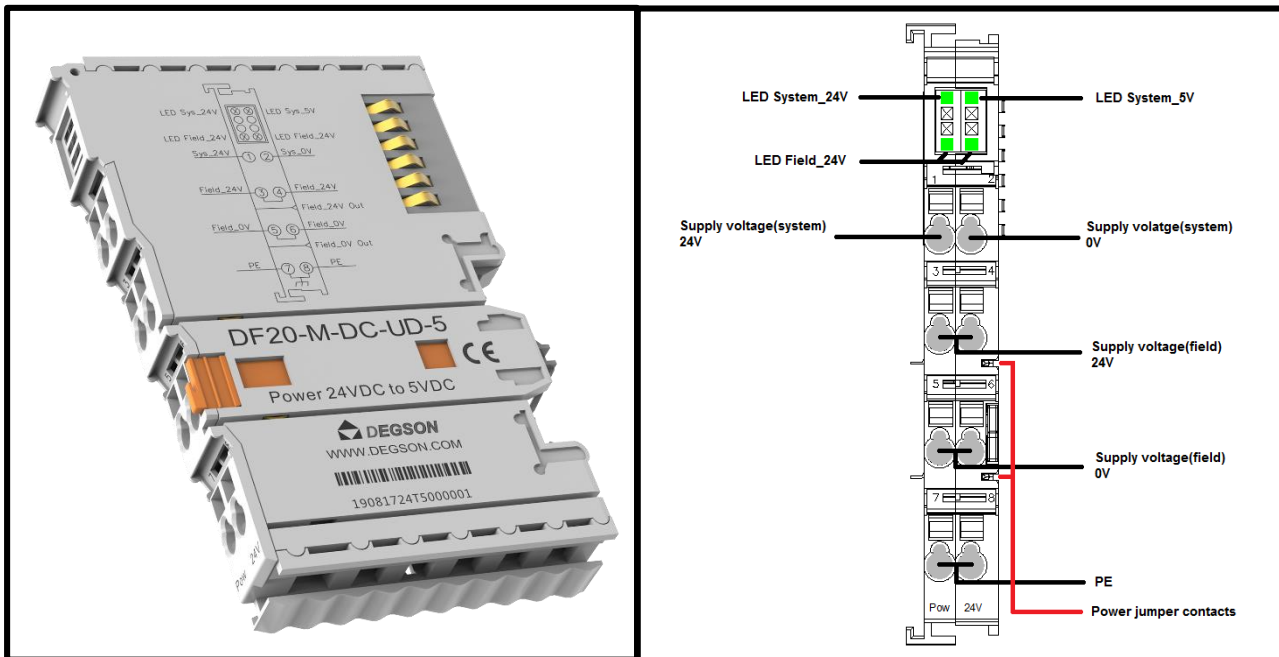


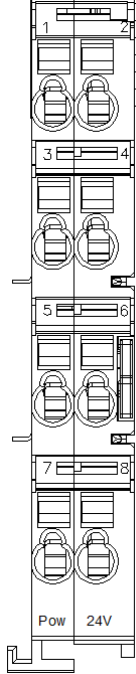
### ◆ 24VDC to 5VDC/2A No Isolation (DF20-M-DC-UD-5)

- The operating voltage of the I/O module is 5VDC through the internal bus of the module.
- Supply system current 2A.
- Provides 24VDC voltage rating for external field.
- The two LED indicators respectively indicate the normal operation and communication of the module.
- Field and system levels are Photoelectric No Isolation.
- Protection level IP20.



## 2. Hardware Interface

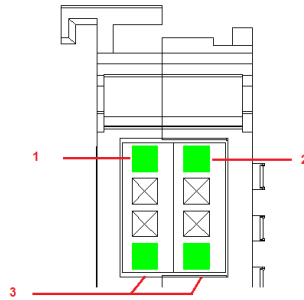
- **Wiring Terminal**



No.	Signal	Description
1	System power 24V	Power the module. Give Goldfinger 5V.
2	System power 0V	
3	Field power 24V	Power the load.
4		
5	Field power 0V	
6		
7	PE	Protect Earthing
8		

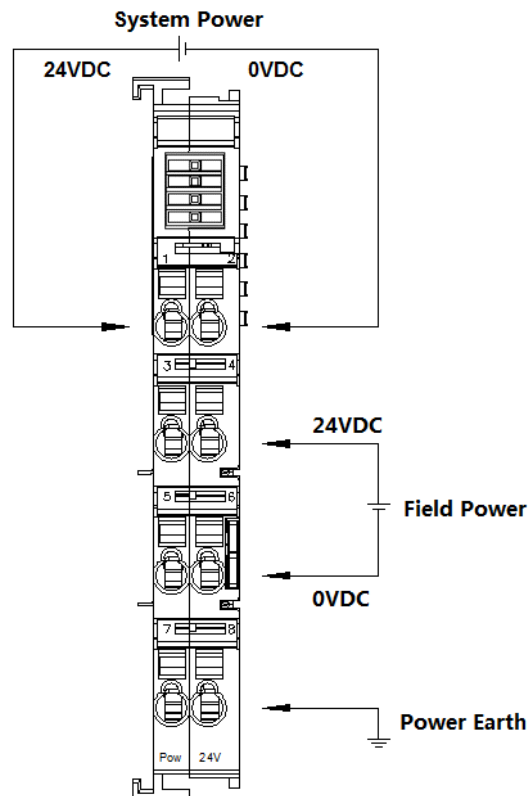
**Notes:** It is recommended to use two isolated 24V power supplies to provide two power supplies for the coupler respectively to achieve the best anti-interference performance.

## ● LED Indicator



LED Indicator	State	Definition
1	Green: ON	System Power Normal
	Green: OFF	System Power Failure
2	Green: ON	Goldfinger Power Normal
	Green: OFF	Goldfinger Power Failure
3	Green: ON	Field Power Normal
	Green: OFF	Field Power Failure

## ● Wiring



As shown in the picture:

3, 4 port internal short-circuit; 5, 6 port internal short-circuit; Internal short-circuit of ports 7 and 8.

Only three of these ports need to be connected.

### 3.Machinery installation

- Dimension drawing

The installation size is shown in the following figure (unit: mm):

