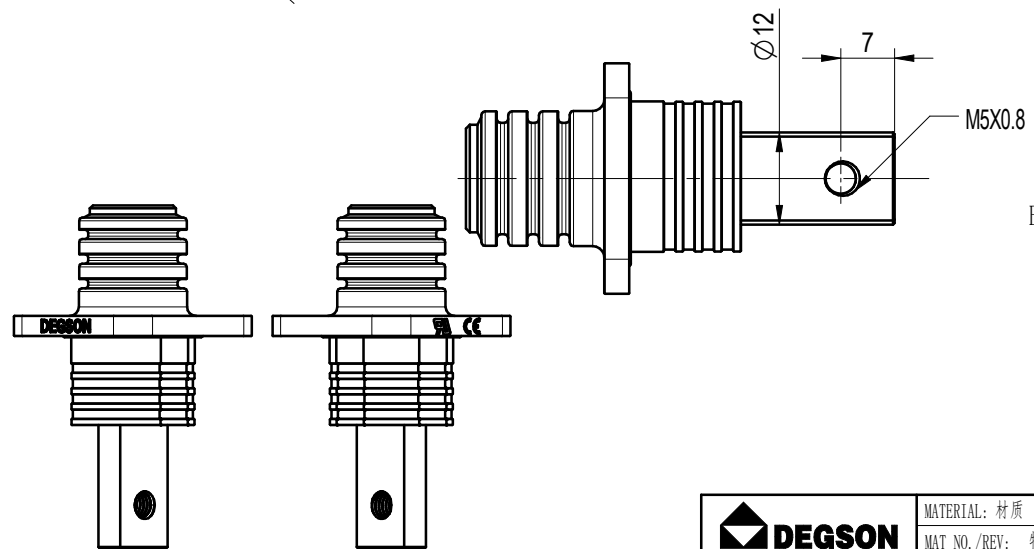
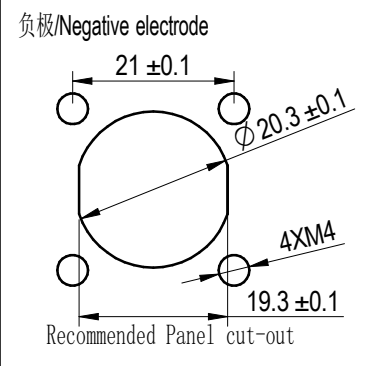
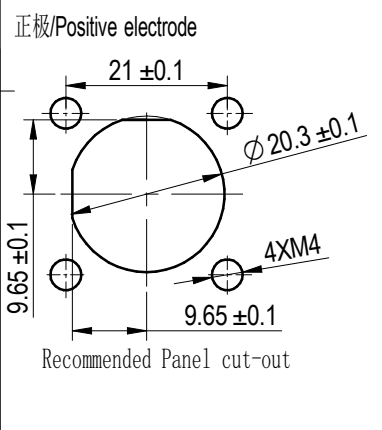
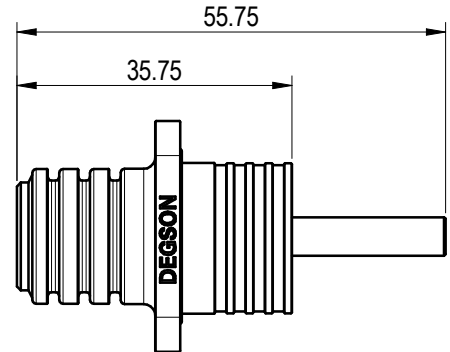
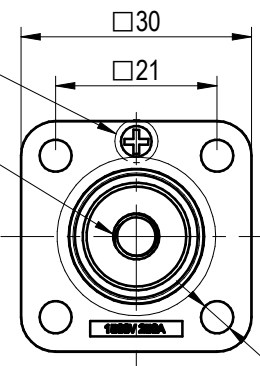


尺寸公差 (mm)					0.05/10 ±1°
0 ~ 30	>30 ~ 60	>60 ~ 100	>100 ~ 150	>150	
±0.20	±0.30	±0.50	±0.70	±1.00	

技术要求/Technical requirements:	
颜色/Color	Black, Orange
锁紧方式/Locking method	螺钉 (Copper Screw)
接线方式/Terminal	Copper Screw
外壳材料/Housing material	PA+GF
接触件材料/Connector material	铜合金 (Copper alloy)
安装螺母紧固扭矩/Screw torque	M4/0.4° 0.7N.m M5/2N.m M6/3N.m
额定电压/Rated voltage	1500V DC
额定电流/Rated current	250A
绝缘电阻/Insulate resistance	≥5000MΩ (drying)
耐压等级/Withstanding voltage	6800V/min
过电压等级/Overvoltage category	III
污染等级/Pollution degree	3
防护等级/Ingress protection	IP67 (Mated)
使用温度范围/Operating temperature (° C)	-40~+125 (including temperature rise)
盐雾/Salt spray	48H
储存温度/Storage temperature (° C)	-40~+85
阻燃等级/Flame retardant ability	UL94-V0
符合RoHS环保要求/Conform to RoHS	Yes
满足户外使用/Satisfy outdoor use	Yes

正极“+”/Positive electrode“+”  
 负极“-”/Negative electrode“-”

M6X1.0



EGD-250A-70-B/S-XX-10

Color :BK : Black 负极  
 OR : Orange 正极

		MATERIAL: 材质	SURFACE/COLOR: 表面处理		
APPD:		MAT NO./REV: 物料编码 / 版本	MAT STATUS: 物料状态		
CHKD:		NAME			
DRFT: 王子鹏 2024-07-13		EGD-250A-70-B/S-XX-10			
④	A4	DRAWING NO. 图号	TYPE 图纸类型	DRAWING STATUS 图纸状态	SHEET 1/1

00	REV	ECN	DESCRIPTION	DRFT	DATE

Transfer or duplication of this document as well as the utilization or communication of its contents are prohibited unless explicit authorization is granted. Violations will be liable for compensation. All rights reserved for patent, utility model or design registrations. 除特别声明或授权外，未经许可，不得复制或传播本文件内容。侵犯者将承担法律责任。本公司保留对涉及发明、实用新型和外观设计的所有权利。