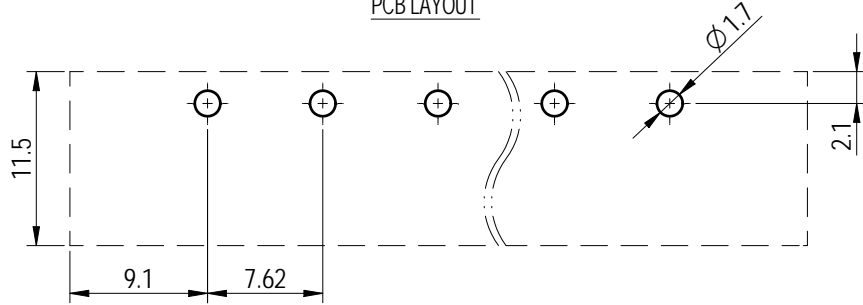
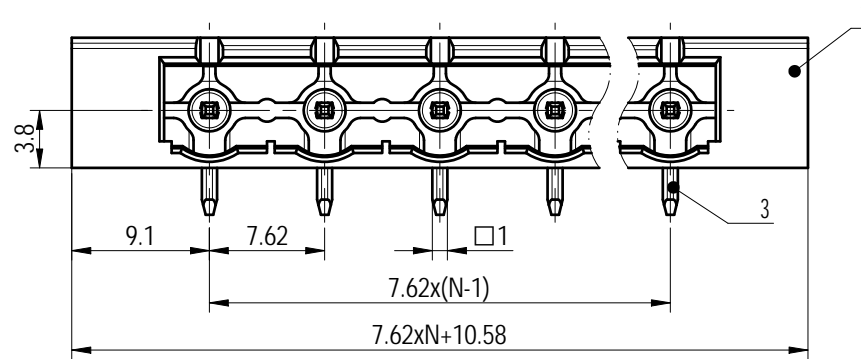
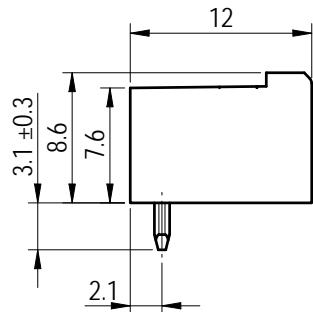
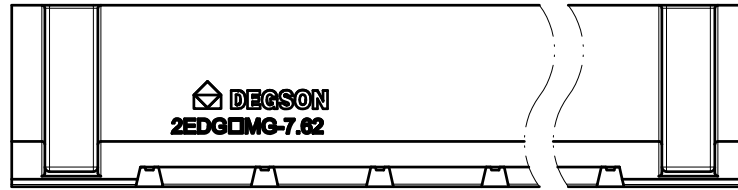
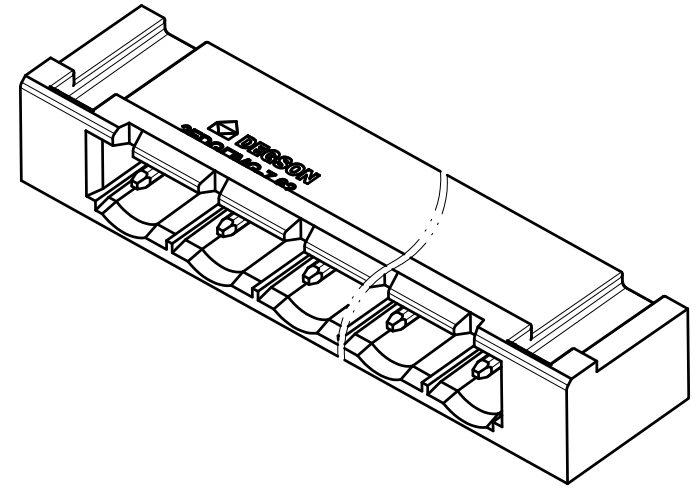


PCB LAYOUT



未注公差/General tolerances (mm)												0.1/10	
0	>3	>6	>10	>18	>30	>50	>80	>120	>180	>250	>315		>400
~3	~6	~10	~18	~30	~50	~80	~120	~180	~250	~315	~400	~500	>500
±0.12	±0.18	±0.22	±0.26	±0.31	±0.37	±0.57	±0.80	±0.93	±1.05	±1.15	±1.60	±2.20	±2.50



ITEM	NAME OF PART	MATERIAL	NOTES
2	Pin	Copper	Sn Plated
1	Housing	PA66	UL94V-0
UL 标准/UL Standard:		B	C D
额定电压/电流/Rated Voltage(V)/Current(A)		300/10	/ 300/10
IEC 标准/IEC Standard:			
过压类别/Overtoltage Category/污染等级/Pollution Degree		III/3	III/2 II/2
额定电压/电流/Rated Voltage(V)/Current(A)		400/20	400/20 1000/20
额定脉冲电压(KV)/Rate Impulse Voltage(KV)		4	4 4
间距/Pitch(mm)/线数范围/Poles		7.62/N=02~12P	
使用温度范围/Operating temperature(°C)		-40~+105	
符合RoHS环保要求/Conform to RoHS		Yes	

		MATERIAL:	SURFACE/COLOR:		
		MAT NO./REV:	MAT STATUS: 批量		
APPD: 兰春华	2023.10.30	NAME			
CHKD: 陈招	2023.10.30	2EDGRMG-7.62-XXP-1Y-00Z(H)			
DRFT: 龚徐涛	2023.10.27	DRAWING NO.	TYPE	DRAWING STATUS	SCALE
		200194050	CUSTOMER DRAWING	已发布	2:1
					SHEET 1/1

REV	ECN	DESCRIPTION	DRFT	DATE
01			龚徐涛	2023.10.27

Transfer or duplication of this document as well as the utilization or communication of its contents are prohibited unless authorized in writing by DEGSON. All rights reserved for patent. 未经授权复制或传播本文件内容及利用其内容均属于侵权行为。保留所有权利。DEGSON 公司保留对本文件的所有权利。