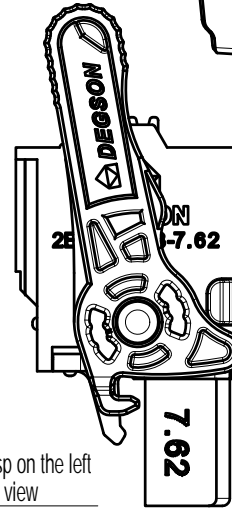
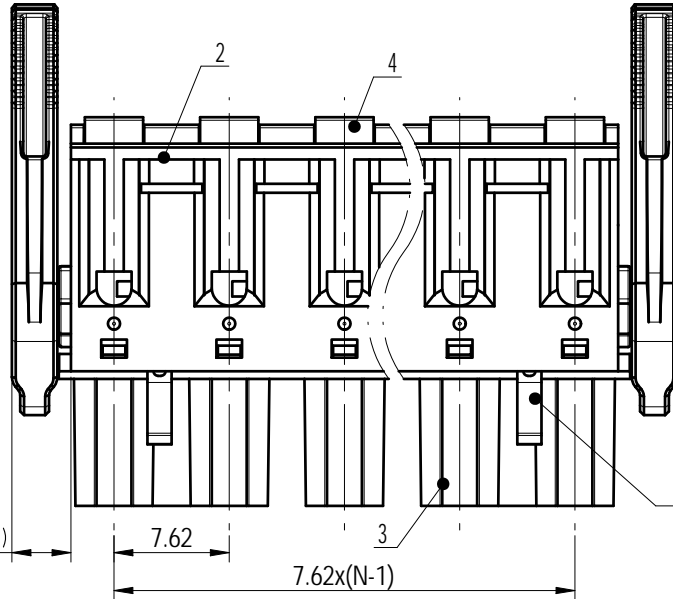
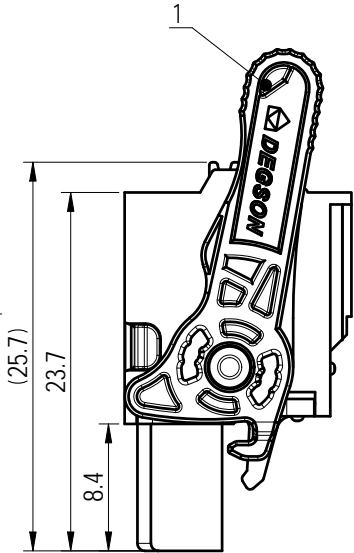
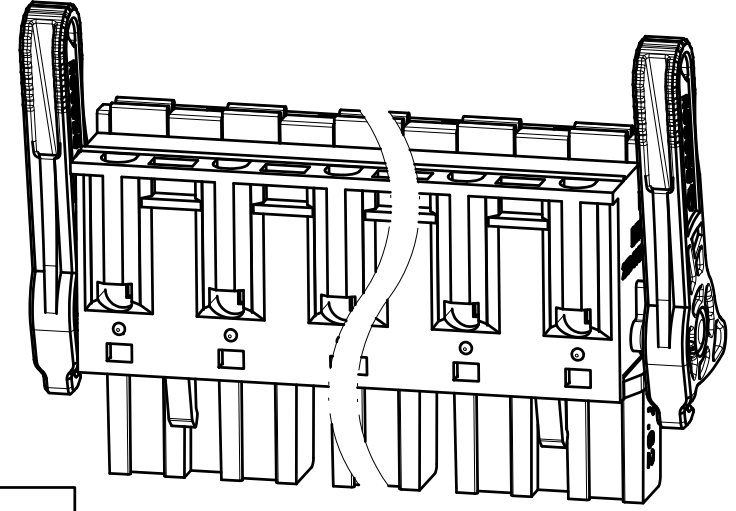
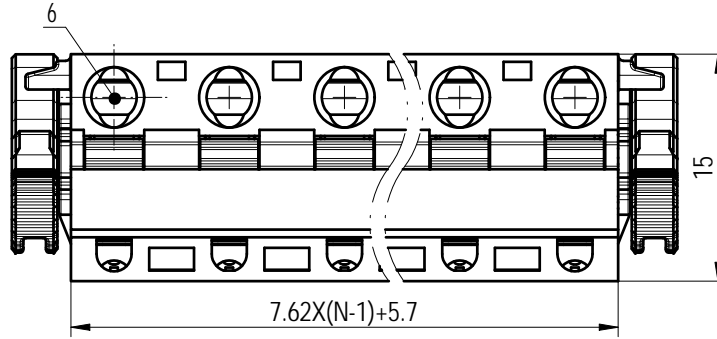
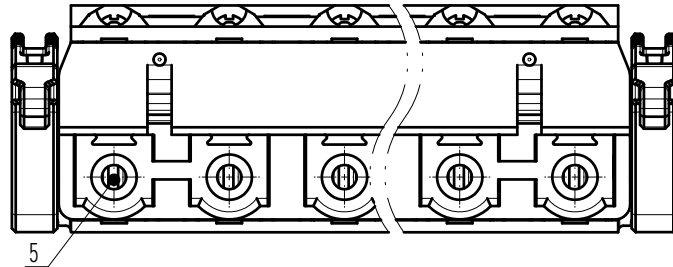


公差/General tolerances (mm)

0	>3	>6	>10	>18	>30	>50	>80	>120	>180	>250	>315	>400	>500	0.1/10
~	~	~	~	~	~	~	~	~	~	~	~	~	~	
±0.12	±0.18	±0.22	±0.26	±0.31	±0.37	±0.57	±0.80	±0.93	±1.05	±1.15	±1.60	±2.20	±2.50	±2'



O2P: Clasp on the left from this view



6	Spring	Stainless steel	/
5	Clamp	Copper Alloy	Sn Plated
4	Button	PA66	UL94V-0
3	Cover	PA66	UL94V-0
2	Housing	PA66	UL94V-0
1	Handle	PA66-GF	UL94V-0
ITEM	NAME OF PART	MATERIAL	NOTES

UL 标准/UL Standard:	B	C	D
额定电压/电流/Rated Voltage(V)/Current(A)	300/10	/	300/10
IEC 标准/IEC Standard:			
过压类别/Ovenvoltage Category/污染等级/Pollution Degree	III/3	III/2	II/2
额定电压/电流/Rated Voltage(V)/Current(A)	400/20	400/20	1000/20
额定脉冲电压(KV)/Rate Impulse Voltage(KV)	4	4	4
线径范围(硬线和软线)/Wire Range(rigid and flexible)(AWG/mm²)	26~12 / 0.2~2.5		
间距/Pitch(mm)/线数范围/Poles	7.62/N=02~12P		
剥线长度/Stripping length(mm)	9~10		
使用温度范围/Operating temperature(°C)	-40~+105		
符合RoHS环保要求/Conform to RoHS	Yes		

		MATERIAL:	SURFACE/COLOR:		
APPD: 兰春华 2023.10.30		MAT NO./REV:	/ 00 MAT STATUS: 批量		
CHKD: 陈招 2023.10.30		NAME			
DRFT: 龚徐涛 2023.10.27		2EDGKDGB-7.62-XXP-1Y-00Z (H)			
DRAWING NO. 200194018		TYPE	CUSTOMER DRAWING	DRAWING STATUS	SCALE SHEET
A4				已发布	2:1 1/1

01			龚徐涛	2023.10.27
REV	ECN	DESCRIPTION	DRFT	DATE

Transfer or duplication of this document as well as the utilization or communication of its content are prohibited unless authorized in writing by DEGSON. All rights reserved for patent, utility model or design registrations. 除非经书面明确授权, 否则禁止转让、复制或利用。未经授权, 严禁将本文件的内容用于任何复制或通信。所有权利保留, 包括专利、实用新型或外观设计。