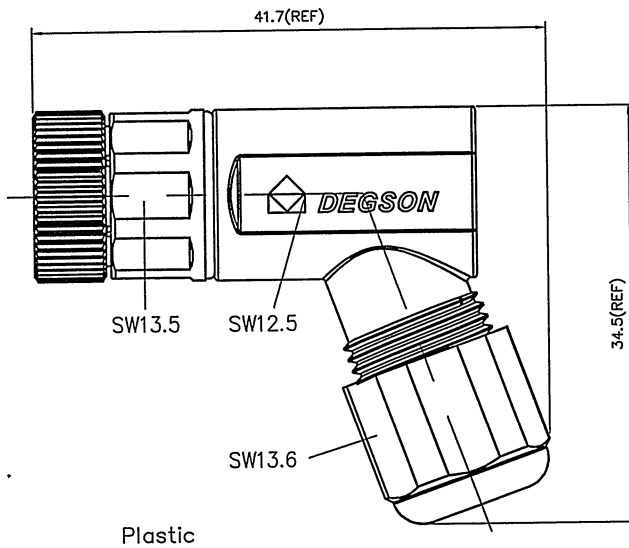
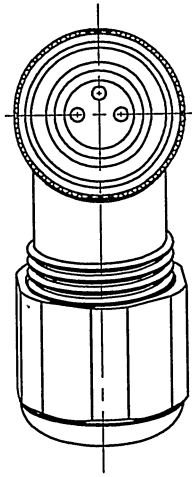


REVISION RECORD				
REV	ECN	DESCRIPTION	DRFT	DATE



- NOTES:
- Rated voltage/current : 3pin: 60V / 3A
4pin: 60V / 3A
 - Withstanding voltage : 3,4pin: AC850V/1Min
 - Levels of protection: IP67
 - Wire range : 3pin: 24~22AWG/0.25~0.34mm²
4pin: 24~22AWG/0.25~0.34mm²
 - Cable range : 4~6mm
 - Wire connection mode: screw
 - Operating temperature: -40°C~+85°C
 - RoHS Compliance
 - Tolerance : ±0.5mm

PB-M8A-XXP-FF-SR7001-00A(H)

Pin number: 03,04,

3pin A Coding	4pin A Coding
<p>Pin Assignment Front View</p>	<p>Pin Assignment Front View</p>

DETACHED LISTS	PART NO.: PBM8AXXPFSR700100AH	宁波高松电子有限公司 NINGBO DEGSON ELECTRICAL CO., LTD		
	APPD: ZX 20190520	NAME: PB-M8A-XXP-FF-SR7001-00A(H)		
	CHKD: LD 2019.5.20	TITLE: CUSTOMER DRAWING		
	DRFT: SQ 2019.05.17	REV	D0-1	
	<p>THIRD ANGLE PROJECTION</p>	DRAWING NO.: XXXXXXX-XX-CXX	SHEET	1/1
	MM (INCH)	DO NOT SCALE DRAWING	SCALE	1:1