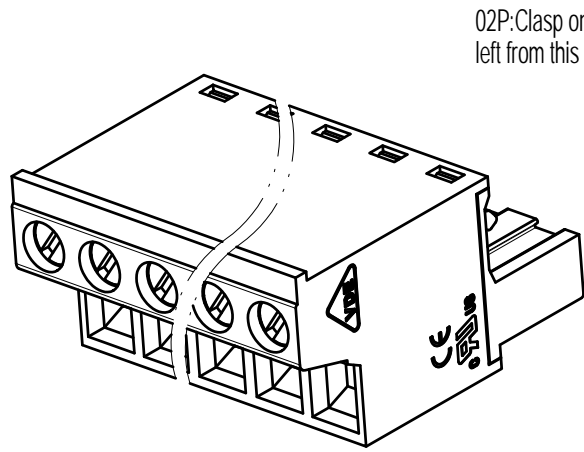
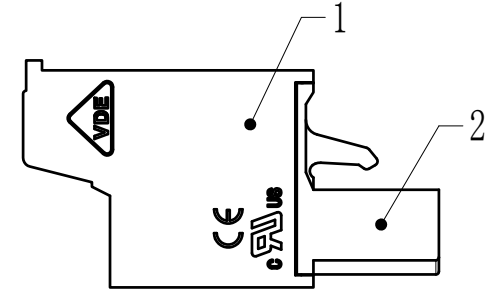
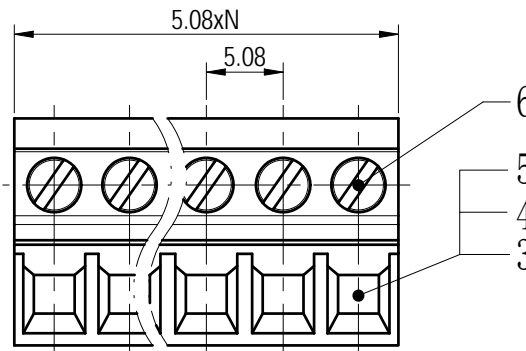
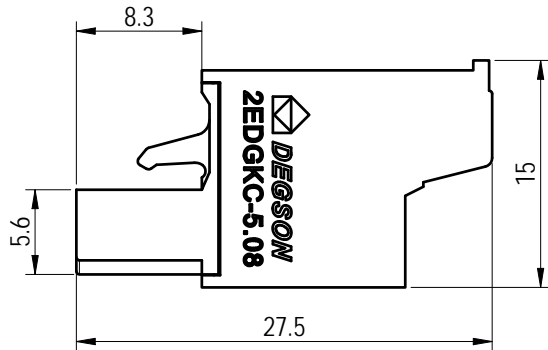
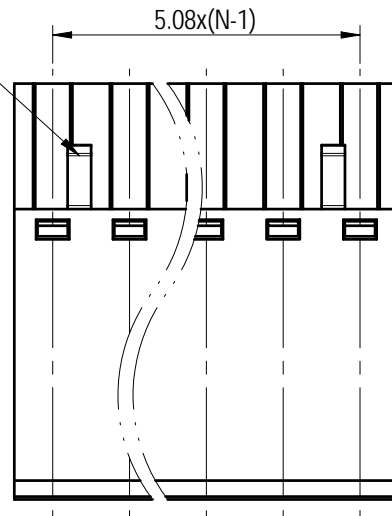


Transfer or duplication of this document as well as the utilization or communication of its content is prohibited unless authorized in writing by DEGSON. All rights reserved for patent. 未经授权复制或传播本文件内容，或在本文件基础上进行任何修改、复制或再分发，均属于侵权行为。DEGSON 保留所有权利。



02P: Clasp on the left from this view



未注公差/General tolerances (mm)													0.1/10 ±2'
0	>3	>6	>10	>18	>30	>50	>80	>120	>180	>250	>315	>400	
~3	~6	~10	~18	~30	~50	~80	~120	~180	~250	~315	~400	~500	>500
±0.12	±0.18	±0.22	±0.26	±0.31	±0.37	±0.57	±0.80	±0.93	±1.05	±1.15	±1.60	±2.20	±2.50

UL 标准/UL Standard:	B	C	D
01 额定电压/电流/Rated Voltage(V)/Current(A)	300/15	150/15	300/10
IEC 标准/IEC Standard:			
过压类别/Overvoltage Category/污染等级/Pollution Degree	III/3	III/2	II/2
额定电压/电流/Rated Voltage(V)/Current(A)	/	320/20	/
01 额定脉冲电压(KV)/Rate Impulse Voltage(KV)	/	4	/
螺丝扭矩/Torque Tightening(N·m/Lb.in)	M2.5, 0.5/4.43		
线径范围(硬线和软线)/Wire Range(rigid and flexible)(AWG/mm²)	28~12 / 0.2~2.5		
间距/Pitch(mm)/线数范围/Poles	5.08/N=02~24P		
剥线长度/Stripping length(mm)	9~10		
使用温度范围/Operating temperature(°C)	-40~+105		
符合RoHS环保要求/Conform to RoHS	Yes		

ITEM	NAME OF PART	MATERIAL	NOTES
6	Screw	Steel	M2.5/Zn Plated
5	Cage	Steel	M2.5/Zn Plated
4	Block	Steel	Zn Plated
3	Clamp	Copper alloy	Sn Plated
2	Cover	PA66	UL94V-0
1	Housing	PA66	UL94V-0

Note:  
The A&Z(H) in the name means: A(H) and Z(H).

REV	ECN	DESCRIPTION	DRFT	DATE
01	20220147	2x由00版升为01版, 提升UL电流及扭力大小	朱岳鹏	2023.03.31

		MATERIAL:	SURFACE/COLOR:
APPD: 兰春华	2023.03.31	MAT NO./REV: - / 01	MAT STATUS: 批量
CHKD: 龚耀志	2023.03.31	NAME: 2EDGKC-5.08-XXP-1Y-00A&Z(H)	
DRFT: 朱岳鹏	2023.03.31	DRAWING NO. 200100560	TYPE: CUSTOMER DRAWING
		DRAWING STATUS: 已发布	SCALE: 2:1
			SHEET: 1/1