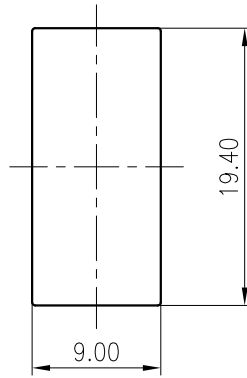
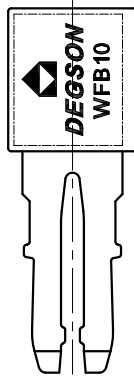


| 未注公差/General tolerances(mm) | | | | | | | | | | | | | 0.1/10 ±2° |
|-----------------------------|--------------|---------------|----------------|----------------|----------------|----------------|-----------------|------------------|------------------|------------------|------------------|------------------|---------------|
| 0 ~ 3 | >3 ~ 6 | >6 ~ 10 | >10 ~ 18 | >18 ~ 30 | >30 ~ 50 | >50 ~ 80 | >80 ~ 120 | >120 ~ 180 | >180 ~ 250 | >250 ~ 315 | >315 ~ 400 | >400 ~ 500 | |
| ±0.12 | ±0.18 | ±0.22 | ±0.26 | ±0.31 | ±0.37 | ±0.57 | ±0.80 | ±0.93 | ±1.05 | ±1.15 | ±1.60 | ±2.20 | ±2.50 |

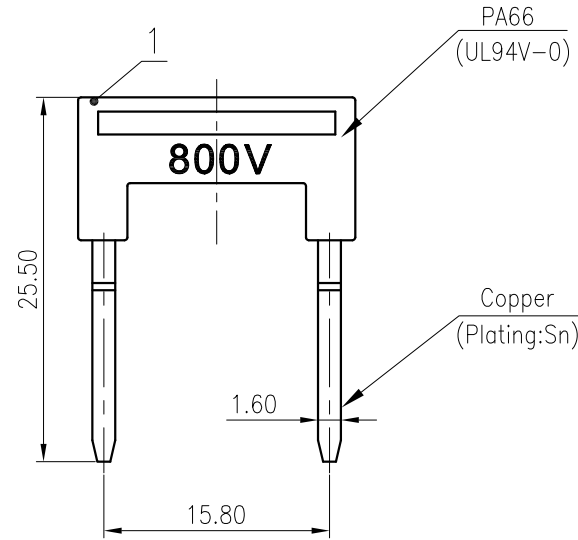
A



B



C



A

B

C

D

D

| 1 | WFB10 | | |
|----------------------------------|--------------|-----------|-------|
| ITEM | NAME OF PART | MATERIAL | NOTES |
| 间距/Pitch(mm)/线数范围/Poles | | 15.80/01P | |
| 使用温度范围/Operating temperature(°C) | | -40~+105 | |
| 符合RoHS环保要求/Conform to RoHS | | Yes | |

| | | | |
|------------|-------------------|---|------------------------|
| MATERIAL: | | SURFACE: | |
| MAT NO.: | / | 宁波高松电子有限公司 NINGBO DEGSON ELECTRICAL CO., LTD | |
| STATUS: | / | | |
| APPD: | Li GL 2020.06.06 | NAME: | |
| CHKD: | Mao J 2020.06.06 | WFB10-01P-1Y-00A(H) | |
| DRFT: | Feng X 2020.05.26 | DRAWING NO.: | WFB10-C01 |
| REV | ECN | DESCRIPTION | DRFT |
| DATE | | | |
| SIZE: A4 | | mm (inch) | TYPE: CUSTOMER DRAWING |
| SCALE: 2:1 | SHEET | 1/1 | REV TO |

| | | | | |
|-----|-----|-------------|------|------|
| REV | ECN | DESCRIPTION | DRFT | DATE |
|-----|-----|-------------|------|------|