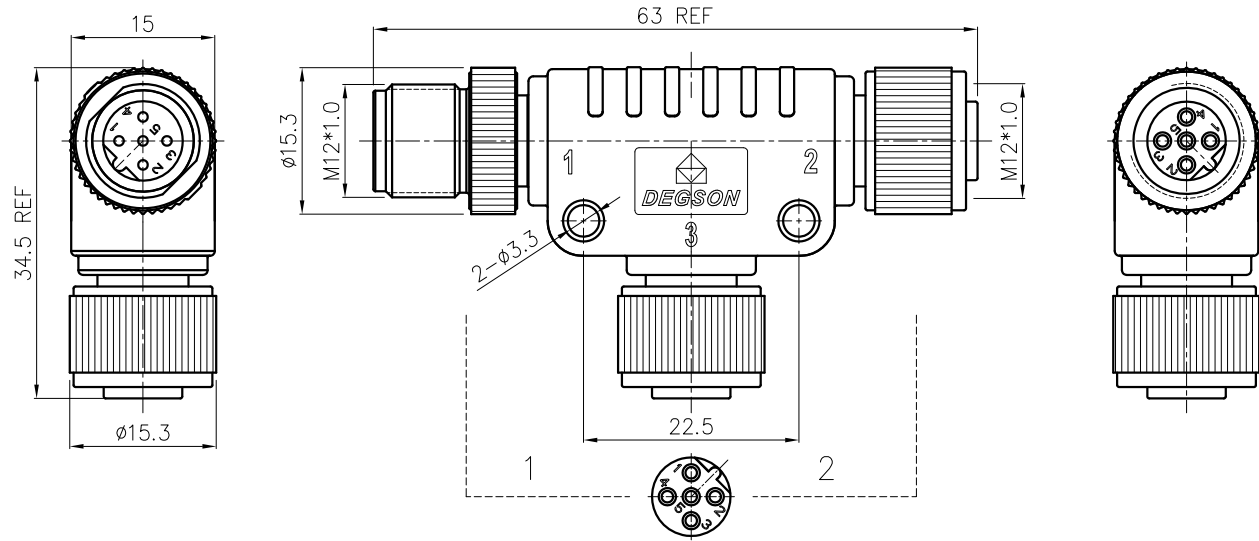
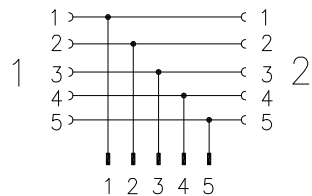


REVISION RECORD

REV	ECN	DESCRIPTION	DRFT	DATE



Circuit diagram:



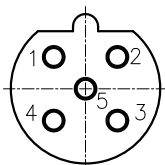
NOTES:

- 1.RoHS Compliance,
- 2.The Code direction is shown as diagram,
- 3.Housing material: PU(Color: black),
- 4.Contact body material: PU(Color: black),
- 5.Contact material: Copper alloy,(plating: gold)
- 6.O Ring material: Silicone,(Color: green)
- 7.Screw material: Zinc alloy (plating: Ni),

Technique parameter

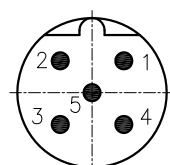
Rated voltage	60V
Rated current	4A
Insulation resistance	≥100MΩ
Withstanding voltage	1000 AC
Operating temperature	-25°C~+85°C
Levels of protection	IP67
Cable OD	/

Female(Front view)



B-code

Male(Front view)



B-code

1	brown
2	white
3	blue
4	black
5	gray
NO.	Color

Dimensional tolerance (mm)

≤30	30 ~ 60	60 ~ 100	100 ~ 150	>150
±0.20	±0.30	±0.50	±0.70	±1.00

DETACHED LISTS	PART NO.: FTM12B05FM12B05MK50200	宁波高松电子有限公司 NINGBO DEGSON ELECTRICAL CO., LTD		
	APPD:	NAME: FT-M12B-05F-M12B-05M-K5-0200		
	CHKD:	TITLE: ASSEMBLY DRAWING		
	DRFT: WYM 2019/05/23	DRAWING NO.: 20000527	REV: TO-1	SHEET: 1/1
THIRD ANGLE PROJECTION		DO NOT SCALE DRAWING	SCALE: 1:1	