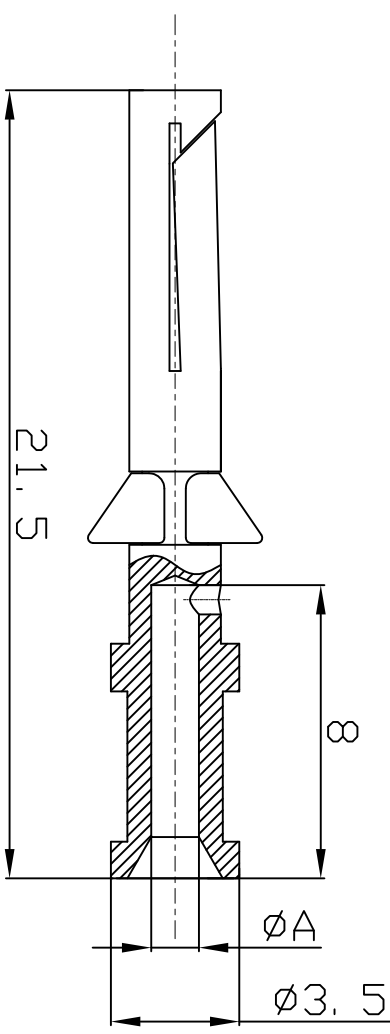



REVISION RECORD				
REV	ECN	DESCRIPTION	DRFT	DATE

Contacts, silver-plated	(∅A)	Wire gauge		Recommended stripping length
		(mm ²)	(AWG)	
Type of products				
10A-SF-0.37	0.9	0.14-0.37	26-22	8mm
10A-SF-0.5	1.1	0.50	20	8mm
10A-SF-0.75	1.3	0.75	18	8mm
10A-SF-1.0	1.45	1.00	18	8mm
◆ 10A-SF-1.5	1.75	1.50	16	8mm
10A-SF-2.5	2.25	2.50	14	6mm



Crimp contacts

01. Material :Copper alloy
02. Surface :hard-silver plated
03. Contact resistance : ≤3mΩ
04. Terminal :Crimp connection
05. Wire gauge : 0.37-2.5mm² (AWG 22-14)
06. Rohs Compliance

DETACHED LISTS		PART NO.: /		 NINGBO DEGSON ELECTRICAL CO., LTD 宁波高松电子有限公司	
APPD:	CHKD:	DRFT:	Mr. Yang 2016.08.08	NAME:	10A-Female Contacts
TITLE: CUSTOMER DRAWING		DRAWING NO.:	/	REV	DO
THIRD ANGLE PROJECTION		SCALE	DO NOT SCALE DRAWING	SHEET	1/1
		SCALE	5:1		