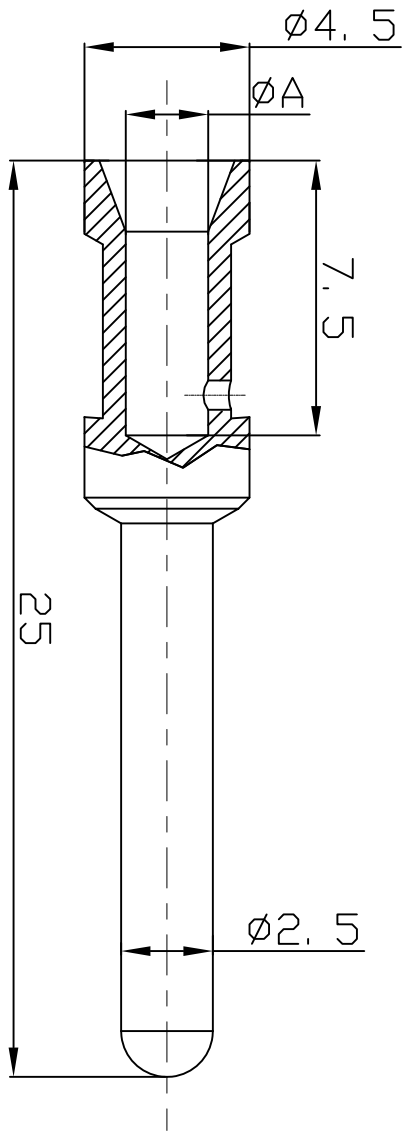


Contacts, Gold-plated

H	Type of products	(ØA)	Wire gauge		Recommended stripping length
			(mm ²)	(AWG)	
	16A-GM-0.37	0.9	0.14-0.37	26-22	7.5mm
	16A-GM-0.5	1.1	0.50	20	7.5mm
	16A-GM-0.75	1.3	0.75	18	7.5mm
	16A-GM-1.0	1.45	1.00	18	7.5mm
	◆ 16A-GM-1.5	1.75	1.50	16	7.5mm
	16A-GM-2.5	2.25	2.50	14	7.5mm
	16A-GM-4.0	2.85	4.00	12	7.5mm

REVISION RECORD				
REV	ECN	DESCRIPTION	DRFT	DATE



Crimp contacts

01. Material :Copper alloy
02. Surface :Gold-plated
03. Contact resistance : ≤1mΩ
04. Terminal :Crimp connection
05. Wire gauge :0.37-4.0mm² (AWG 22-12)
06. Rohs Compliance

DETACHED LISTS		宁波高松电子有限公司 NINGBO DEGSON ELECTRICAL CO., LTD	
PART NO.:	/	NAME:	16A-Male Contacts(Gold-plated)
APPD:		TITLE:	CUSTOMER DRAWING
CHKD:		DRAWING NO.:	/
DRFT:	Mr. Yang 2016.06.06	THIRD ANGLE PROJECTION	DO NOT SCALE DRAWING
REV	DO	SHEET	SCALE
		1/1	5:1