

REVISION RECORD				
REV	ECN	DESCRIPTION	DRFT	DATE

Technical characteristics:

Specifications
 DIN EN 60 664
 DIN EN 61 984

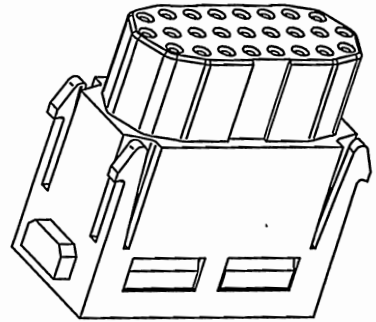
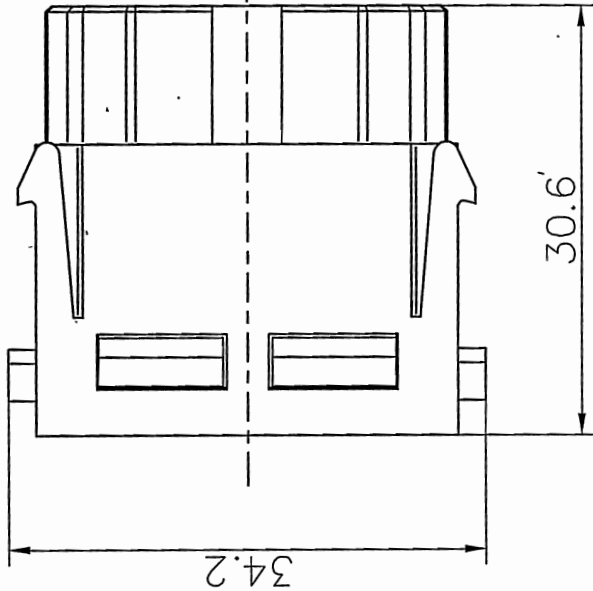
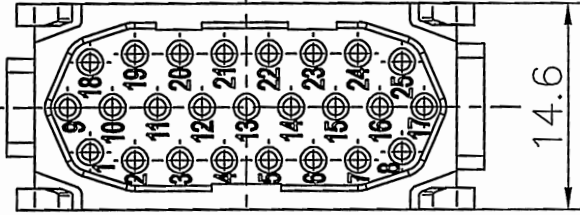
Inserts

01. Number of contacts :25
02. Rated Current :4A
03. Rated Voltage :50V
04. Pollution degree :3
05. Rated impulse voltage :0.8ky
06. Insulation resistance :≥10Ω
07. Material:Polycarbonate
08. Limiting temperatures : -40℃~+125℃
09. Flammability acc.to UL94:V0
10. Mechanical working life (mating cycles) : ≥500

Contacts

01. Material:Copper alloy
02. Surface:hard-Gold/Silver plated
03. Contact resistance :≤3mΩ
04. Terminal :Crimp terminal
05. Wire gauge :0.09-0.52mm² (AWG 28-20)
06. Rohs Compliance

Note:Crimp contact pins should order separately



PART NO: /		NINGBO DEGSON ELECTRICAL CO., LTD	
APPD: HJS	NAME: 宁波高松电子有限公司	DMD-025-FC	
CHKD: Lym	TITLE: CUSTOMER DRAWING	REV: DO-1	SHEET: 1/1
DRFT: yang	DATE: 2016.08.22	DRAWING NO: DO NOT SCALE DRAWING	
THIRD ANGLE PROJECTION		SCALE: 2:1	

DETACHED LISTS

